



### General characteristics

Colour	Red
Type of positions	1 > 0 < 2
Material	Polyamide
IEC degree of protection	IP66, IP67 and IP69K

### Mechanical features

Mechanical life	cycles	1000000
Fixing		Without mounting adapter
Mounting adapter		LPXAU120
Weight	g	25

### UL technical data

UL degree of protection	Type1, 2, 3R, 4, 4X, 12, 12K
-------------------------	------------------------------

### Ambient conditions

#### Temperature

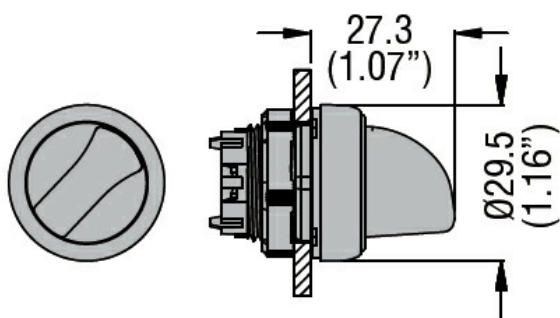
#### Operating temperature

min	°C	-25
max	°C	+70

#### Storage temperature

min	°C	-40
max	°C	+85

### Dimensions



### Certifications and compliance

#### Compliance

CSA C22.2 n° 14  
IEC/EN/BS 60947-1  
IEC/EN/BS 60947-5-1  
UL508

#### Certificates

CCC  
cULus  
EAC  
RINA

ETIM classification

ETIM 8.0

EC000222 -  
Front element for  
selector switch