



### General characteristics

Material

Housing

Polymer  
thermoplastic

### Contact characteristics

Type of contact

1NO/NC

Thermal current I<sub>th</sub>

A

15

IEC/EN 60947-5-1 designation

A600 P300

Rated insulation voltage U<sub>i</sub>

V

250

Switching speed

min

m/s

0.01

max

m/s

1

Operating speed

min

m/s

0.05

max

m/s

1

IEC Conventional free air thermal current I<sub>th</sub> ≤ 40°C

A

15

Resistance per pole (average value)

mΩ

<15

Conductivity

10mA 5V

### Mechanical features

Terminals type

Screw

Operating head fixing

Fixed

Operating torque

N

2.5

ozin

9

Weight

g

33

### Operations

Mechanical life

cycles

20000000

Electrical life

cycles

500000

Mechanical operation

cycles/h

240

### Ambient conditions

Temperature

Operating temperature

min

°C

-25

max

°C

+70

Storage temperature

min

°C

-40

max

°C

+70

### Resistance & Protection

IP degree

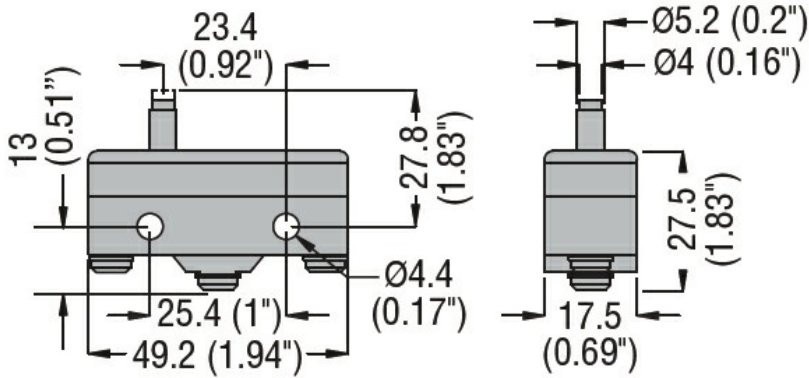
Body housing

IP00 or IP20 with  
terminal shroud

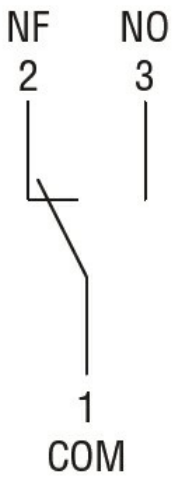
Pollution degree

3

### Dimensions



**Wiring diagrams**



**Certifications and compliance**

**Compliance**

CSA C22.2 n° 14.  
 IEC/EN 60947-1  
 IEC/EN 60947-5-1  
 IEC/EN 61058-1  
 UL508

**Certificates**

cURus  
 EAC

**ETIM classification**

ETIM 8.0

EC000030 - End switch