



Contact characteristics

IEC Conventional free air thermal current $I_{th} \leq 40^\circ\text{C}$	A	80
Rated insulation voltage U_i IEC/EN	V	1000
Rated impulse withstand voltage U_{imp}	kV	8
Operating current I_e		
AC21A		
400V	A	80
500V	A	80
690V	A	80
AC22A		
400V	A	80
500V	A	80
690V	A	80
AC23A		
400V	A	80
500V	A	63
690V	A	47
Power dissipation per pole max	W	2.6
Rated operational power AC23A		
400V	kW	45
690V	kW	45
Reactive power for control of capacitors at		
Conditional short-circuit current (rms)	kA	50
Short-circuit protection with fuse	Class/A	gG80
Making capacity AC23A 400V	A	1250
Breaking capacity AC23A 400V	A	1000
Mechanical life	cycles	30000
Electrical life AC21A	cycles	30000

Mechanical features

Operating position	normal allowable	Vertical plan Any
Terminals	type	Pillar
	width mm	12.4
	height mm	10.4
	screw	M8
	tool	Metric Allen key 4
Tightening torque for terminals	min Nm	5
	max Nm	6
	min lbin	45
	max lbin	54
Conductor section	IEC min mm ²	4

IEC max	mm ²	70
AWG/kcmil min		12
AWG/kcmil max	kcmil	1

Ambient conditions

Operating temperature

min	°C	-25
max	°C	+55

Storage temperature

min	°C	-40
max	°C	+70

Max altitude

m	3000
---	------

Resistance & Protection

Frontal IP degree

IP65

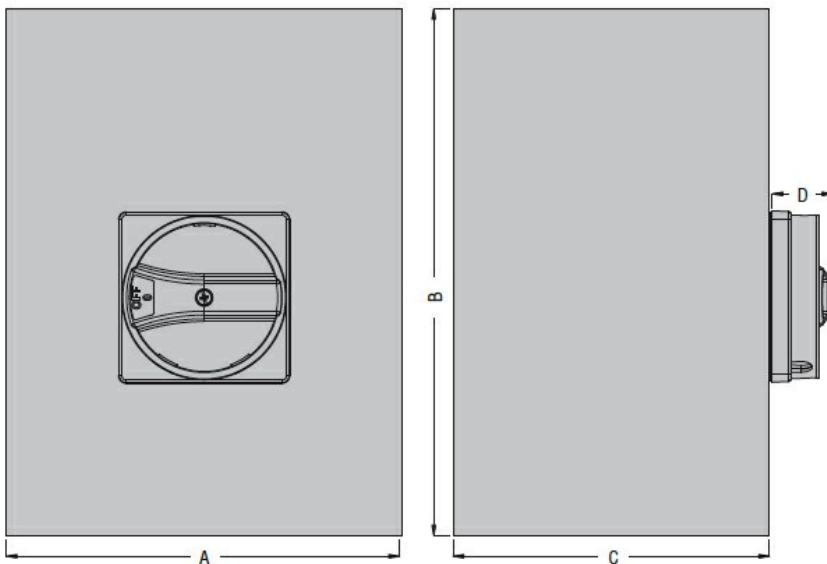
IP degree of protection

IP65

Pollution degree

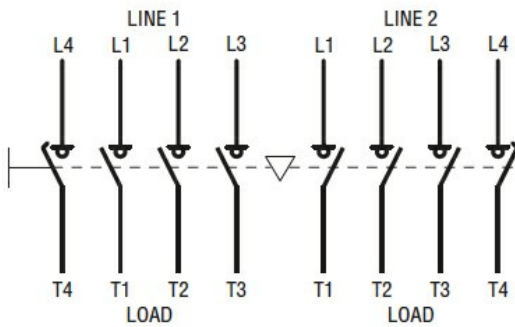
3

Dimensions



Type	A	B	C	D
GAZM063 ET8...GAZM160 ET8...	300 (11.81")	400 (15.75")	120 (4.72")	35 (1.38")

Wiring diagrams



Certifications and compliance

Compliance

IEC/EN 60947-1

IEC/EN 60947-3

ETIM classification

ETIM 8.0

EC000216 -
Switch
disconnecter