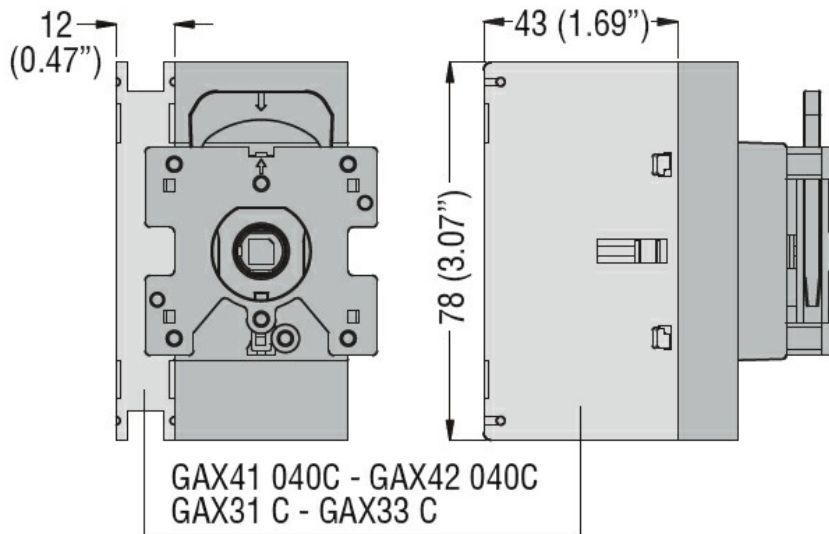




Contact characteristics

IEC Conventional free air thermal current $I_{th} \leq 40^\circ\text{C}$ A 63

Dimensions



Wiring diagrams

Earth terminal
GAX33... - GAX34...



Certifications and compliance

Compliance	CSA C22.2
	IEC/EN 60947-1
	IEC/EN 60947-3
	IEC/EN 60947-5-1
	UL508
	UL98
Certifications	CSA C22.2 n°60947-4-1
	cULus according to UL60947-4-1
	EAC

ETIM classification

ETIM 8.0

EC002498 -
Accessories/spare
parts for low-
voltage switch
technology