



Contact characteristics

Number of poles	Nr.	3
Rated insulation voltage U_i IEC/EN	V	690
Rated impulse withstand voltage U_{imp}	kV	8
Operational frequency	min	Hz 25
	max	Hz 400
IEC Conventional free air thermal current $I_{th} \leq 40^\circ\text{C}$	A	140
Rated operational power AC-6b ($T \leq 40^\circ\text{C}$)	230V	kvar 34
	400V	kvar 60
	440...480V	kvar 75
	690V	kvar 80
Short-time allowable current for 10s (IEC/EN60947-1)	A	760
Protection fuse	gG (IEC)	A 125
		A 1200
Making capacity (RMS value)		
Breaking capacity at voltage	440V	A 1100
	500V	A 775
	690V	A 745
Resistance per pole (average value)	m Ω	0.45
Power dissipation per pole (average value)	lth	W 8.8
Tightening torque for terminals	min	Nm 6
	max	Nm 7
	min	lbin 4.4
	max	lbin 5.2
Tightening torque for coil terminal	min	Nm 0.8
	max	Nm 1
	min	lbin 0.59
	max	lbin 0.74
Max number of wires simultaneously connectable	Nr.	2
Conductor section	AWG/Kcmil	
	max	2/0
Flexible w/o lug conductor section	min	mm ² 1.5
	max	mm ² 70
Flexible c/w lug conductor section	min	mm ² 1.5
	max	mm ² 70
Power terminal protection according to IEC/EN 60529		IP20 front

Mechanical features

Operating position

	normal allowable	Vertical plan ±30°
--	---------------------	-----------------------

Fixing

Screw / DIN rail
35mm

Weight

g 2095

Operations

Mechanical life

cycles 15000000

Electrical life

cycles 400000

Safety related data

Performance level B10d according to EN/ISO 13489-1

	rated load	cycles	400000
	mechanical load	cycles	15000000

EMC compatibility

yes

AC coil operating

Rated AC voltage at 60Hz

V 460

AC operating voltage

of 60Hz coil powered at 60Hz
pick-up

	min	%Us	80
	max	%Us	110

drop-out

	min	%Us	20
	max	%Us	55

Dissipation at holding ≤20°C 50Hz

W 6.5

Max cycles frequency

Mechanical operation

cycles/h 1500

Operating times

Average time for Us control

in AC

Closing NO

	min	ms	16
	max	ms	32

Opening NO

	min	ms	9
	max	ms	24

UL technical data

Rated operational voltage AC (UL)

V 600

General USE

Contactor

AC current A 140

Ambient conditions

Temperature

Operating temperature

	min	°C	-50
	max	°C	70

Storage temperature

	min	°C	-60
	max	°C	80

Max altitude

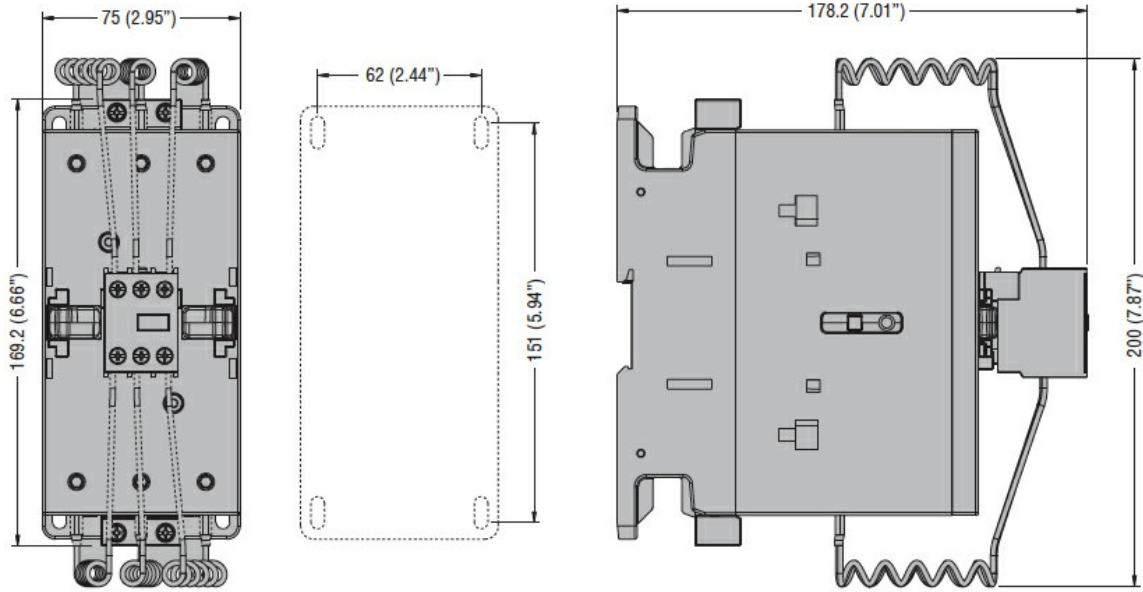
m 3000

Resistance & Protection

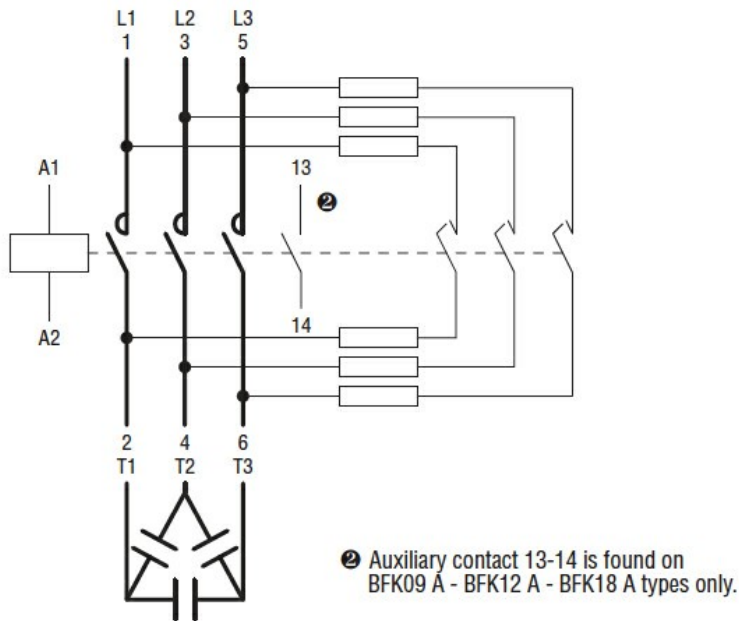
Pollution degree

3

Dimensions



Wiring diagrams



Certifications and compliance

Compliance

CSA C22.2 n° 60947-1

CSA C22.2 n° 60947-4-1

IEC/EN/BS 60947-1

IEC/EN/BS 60947-4-1

UL 60947-1

UL 60947-4-1

Certificates

CCC

cULus

ETIM classification

ETIM 8.0

EC001079 -
Capacitor
contactor