



Contact characteristics

Number of poles	Nr.	3
Rated insulation voltage U_i IEC/EN	V	1000
Rated impulse withstand voltage U_{imp}	kV	8
Operational frequency	min	Hz 25
	max	Hz 400
IEC Conventional free air thermal current $I_{th} \leq 40^\circ C$	A	165
Operational current I_e	AC-1 ($\leq 40^\circ C$)	A 165
	AC-1 ($\leq 55^\circ C$)	A 135
	AC-1 ($\leq 70^\circ C$)	A 118
	AC-3 ($\leq 440V \leq 55^\circ C$)	A 150
	AC-4 (400V)	A 70
Rated operational power AC-3 ($T \leq 55^\circ C$)	230V	kW 45
	400V	kW 75
	415V	kW 75
	440V	kW 75
	500V	kW 90
	690V	kW 110
	1000V	kW 55
Rated operational current AC-3 ($T \leq 55^\circ C$)	230V	A 150
	400V	A 150
	415V	A 150
	440V	A 150
	500V	A 128
	690V	A 113
	1000V	A 51
IEC max current I_e in DC1 with $L/R \leq 1ms$ with 1 poles in series	$\leq 24V$	A 165
	48V	A 165
	75V	A 150
	110V	A 10
	220V	A -
IEC max current I_e in DC1 with $L/R \leq 1ms$ with 2 poles in series	$\leq 24V$	A 165
	48V	A 165
	75V	A 165
	110V	A 150
	220V	A 14
IEC max current I_e in DC1 with $L/R \leq 1ms$ with 3 poles in series	$\leq 24V$	A 165
	48V	A 165

	75V	A	165
	110V	A	160
	220V	A	150
<hr/>			
IEC max current I _e in DC1 with L/R ≤ 1ms with 4 poles in series			
	≤24V	A	165
	48V	A	165
	75V	A	165
	110V	A	165
	220V	A	165
<hr/>			
IEC max current I _e in DC3-DC5 with L/R ≤ 15ms with 1 poles in series			
	≤24V	A	165
	48V	A	60
	75V	A	44
	110V	A	6
	220V	A	–
<hr/>			
IEC max current I _e in DC3-DC5 with L/R ≤ 15ms with 2 poles in series			
	≤24V	A	165
	48V	A	82
	75V	A	70
	110V	A	80
	220V	A	7
<hr/>			
IEC max current I _e in DC3-DC5 with L/R ≤ 15ms with 3 poles in series			
	≤24V	A	165
	48V	A	195
	75V	A	110
	110V	A	120
	220V	A	120
<hr/>			
IEC max current I _e in DC3-DC5 with L/R ≤ 15ms with 4 poles in series			
	≤24V	A	165
	48V	A	130
	75V	A	130
	110V	A	150
	220V	A	150
<hr/>			
Short-time allowable current for 10s (IEC/EN60947-1)		A	1200
<hr/>			
Protection fuse			
	gG (IEC)	A	250
	aM (IEC)	A	160
<hr/>			
Making capacity (RMS value)		A	1500
<hr/>			
Breaking capacity at voltage			
	440V	A	1200
	500V	A	1025
	690V	A	905
<hr/>			
Resistance per pole (average value)		mΩ	0.45
<hr/>			
Power dissipation per pole (average value)			
	I _{th}	W	12
	AC-3	W	10.1
<hr/>			
Tightening torque for terminals			
	min	Nm	6
	max	Nm	7
	min	I _{bin}	4.4
	max	I _{bin}	5.2
<hr/>			
Tightening torque for coil terminal			
	min	Nm	0.8

		max	Nm	1
		min	Ibin	0.59
		max	Ibin	0.74
Conductor section				
	AWG/Kcmil			
		max		2/0
Flexible w/o lug conductor section				
		min	mm ²	1.5
		max	mm ²	70
Flexible c/w lug conductor section				
		min	mm ²	1.5
		max	mm ²	70
Power terminal protection according to IEC/EN 60529				IP20 front
Mechanical features				
Operating position				
		normal allowable		Vertical plan ±30°
Fixing				Screw / DIN rail 35mm
Weight			g	2020
Operations				
Mechanical life			cycles	15000000
Electrical life			cycles	800000
Safety related data				
Performance level B10d according to EN/ISO 13489-1				
		rated load	cycles	800000
		mechanical load	cycles	15000000
EMC compatibility				yes
AC coil operating				
Rated AC voltage at 50/60Hz			V	110
AC operating voltage				
	of 50/60Hz coil powered at 50Hz			
		pick-up		
		min	%Us	80
		max	%Us	110
		drop-out		
		min	%Us	20
		max	%Us	55
	of 50/60Hz coil powered at 60Hz			
		pick-up		
		min	%Us	85
		max	%Us	110
		drop-out		
		min	%Us	40
		max	%Us	55
AC average coil consumption at 20°C				
	of 50/60Hz coil powered at 50Hz			
		in-rush	VA	300
		holding	VA	20
	of 50/60Hz coil powered at 60Hz			
		in-rush	VA	275
		holding	VA	17
	of 60Hz coil powered at 60Hz			
		in-rush	VA	300

	holding	VA	20
Dissipation at holding ≤20°C 50Hz		W	6.5

Max cycles frequency

Mechanical operation		cycles/h	1500
----------------------	--	----------	------

Operating times

Average time for Us control
in AC

Closing NO	min	ms	45
	max	ms	32

Opening NO	min	ms	9
	max	ms	24

UL technical data

Rated operational voltage AC (UL)		V	600
-----------------------------------	--	---	-----

Yielded mechanical performance
for three-phase AC motor

200/208V	HP	50
220/240V	HP	50
460/480V	HP	100
575/600V	HP	125

General USE

Contactor		AC current	A	165
-----------	--	------------	---	-----

Short-circuit protection fuse, 600V
High fault

Short circuit current	kA	100
Fuse rating	A	200
Fuse class		J

Standard fault

Short circuit current	kA	10
Fuse rating	A	250
Fuse class		RK5

Ambient conditions

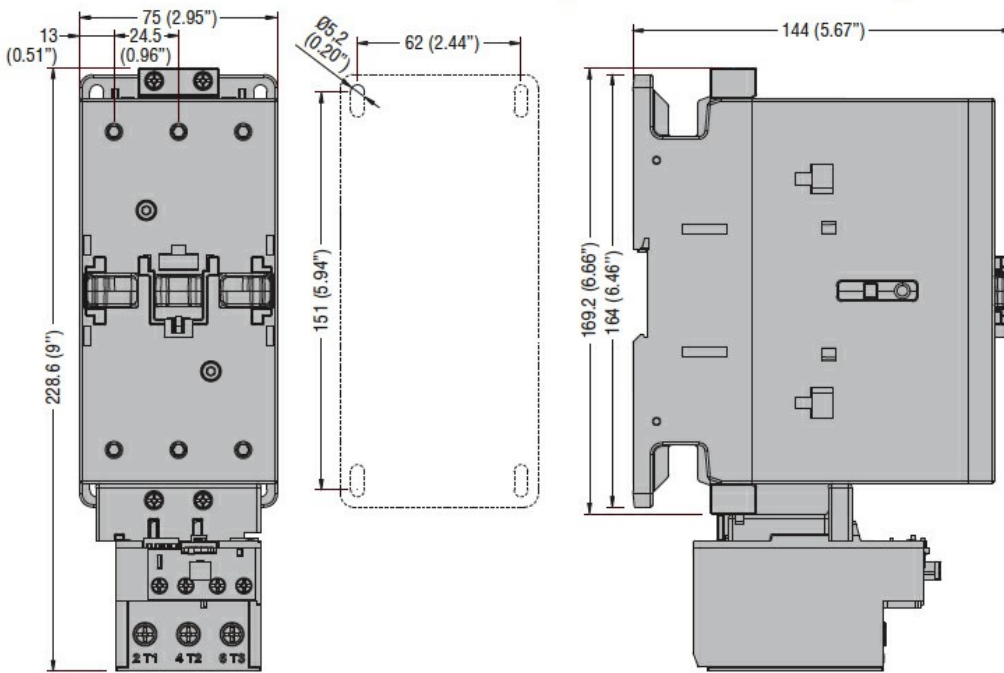
Temperature

Operating temperature	min	°C	-50
	max	°C	70

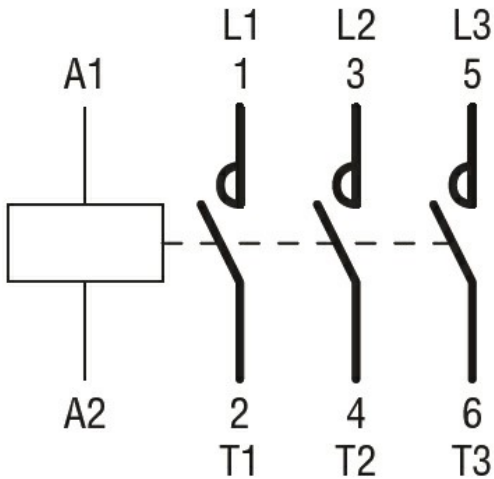
Storage temperature	min	°C	-60
	max	°C	80

Max altitude		m	3000
--------------	--	---	------

Dimensions



Wiring diagrams



Certifications and compliance

Compliance

CSA C22.2 n° 60947-1

CSA C22.2 n° 60947-4-1

IEC/EN 60335-2-89

IEC/EN/BS 60947-1

IEC/EN/BS 60947-4-1

UL 60947-1

UL 60947-4-1

Certificates

CCC

CSA C22.2 n. 60335-2-40:22 LZGH A2L

CSA C22.2 No. 60335-2-89:21 LZGH A2L

cULus

UL 60335-2-40 LZGH A2L

UL 60335-2-89 LZGH A2L

ETIM classification

ETIM 8.0

EC000066 -
Power contactor,
AC switching