



**Contact characteristics**

Number of poles	Nr.	3
Rated insulation voltage $U_i$ IEC/EN	V	690
Rated impulse withstand voltage $U_{imp}$	kV	6
Operational frequency	min	Hz 25
	max	Hz 400
IEC Conventional free air thermal current $I_{th} \leq 40^\circ C$	A	28
Operational current $I_e$	AC-1 ( $\leq 40^\circ C$ )	A 28
	AC-1 ( $\leq 55^\circ C$ )	A 23
	AC-1 ( $\leq 70^\circ C$ )	A 20
	AC-3 ( $\leq 440V \leq 55^\circ C$ )	A 12
	AC-4 (400V)	A 7.9
Rated operational power AC-3 ( $T \leq 55^\circ C$ )	230V	kW 3.2
	400V	kW 5.7
	415V	kW 6.2
	440V	kW 6.2
	500V	kW 7.5
	690V	kW 10
Rated operational power AC-1 ( $T \leq 40^\circ C$ )	230V	kW 10
	400V	kW 18
	500V	kW 23
	690V	kW 32
IEC max current $I_e$ in DC1 with $L/R \leq 1ms$ with 1 poles in series	$\leq 24V$	A 17
	48V	A 15
	75V	A 13
	110V	A 6
	220V	A -
IEC max current $I_e$ in DC1 with $L/R \leq 1ms$ with 2 poles in series	$\leq 24V$	A 20
	48V	A 20
	75V	A 18
	110V	A 13
	220V	A 1
IEC max current $I_e$ in DC1 with $L/R \leq 1ms$ with 3 poles in series	$\leq 24V$	A 22
	48V	A 22
	75V	A 20
	110V	A 16
	220V	A 11
IEC max current $I_e$ in DC1 with $L/R \leq 1ms$ with 4 poles in series		

	≤24V	A	20
	48V	A	20
	75V	A	20
	110V	A	16
	220V	A	12
<hr/>			
IEC max current I <sub>e</sub> in DC3-DC5 with L/R ≤ 15ms with 1 poles in series	≤24V	A	12
	48V	A	11
	75V	A	10
	110V	A	2
	220V	A	–
<hr/>			
IEC max current I <sub>e</sub> in DC3-DC5 with L/R ≤ 15ms with 2 poles in series	≤24V	A	15
	48V	A	13
	75V	A	12
	110V	A	8
	220V	A	2
<hr/>			
IEC max current I <sub>e</sub> in DC3-DC5 with L/R ≤ 15ms with 3 poles in series	≤24V	A	18
	48V	A	18
	75V	A	15
	110V	A	12
	220V	A	6
<hr/>			
IEC max current I <sub>e</sub> in DC3-DC5 with L/R ≤ 15ms with 4 poles in series	≤24V	A	15
	48V	A	15
	75V	A	15
	110V	A	16
	220V	A	7
<hr/>			
Short-time allowable current for 10s (IEC/EN60947-1)		A	150
<hr/>			
Protection fuse	gG (IEC)	A	32
	aM (IEC)	A	12
<hr/>			
Making capacity (RMS value)		A	120
<hr/>			
Breaking capacity at voltage	440V	A	96
	500V	A	96
	690V	A	94
<hr/>			
Resistance per pole (average value)		mΩ	2.5
<hr/>			
Power dissipation per pole (average value)	I <sub>th</sub>	W	2
	AC-3	W	0.4
<hr/>			
Tightening torque for terminals	min	Nm	1.5
	max	Nm	1.8
	min	I <sub>bin</sub>	1.1
	max	I <sub>bin</sub>	1.5
<hr/>			
Tightening torque for coil terminal	min	Nm	0.8
	max	Nm	1
	min	I <sub>bin</sub>	0.8
	max	I <sub>bin</sub>	0.74
<hr/>			
Max number of wires simultaneously connectable		Nr.	2

Conductor section

AWG/Kcmil			max	10
Flexible w/o lug conductor section	min	mm <sup>2</sup>	1	
	max	mm <sup>2</sup>	6	
Flexible c/w lug conductor section	min	mm <sup>2</sup>	1	
	max	mm <sup>2</sup>	4	
Flexible with insulated spade lug conductor section	min	mm <sup>2</sup>	1	
	max	mm <sup>2</sup>	6	

Power terminal protection according to IEC/EN 60529

IP20 when properly wired

Cable stripping length

main circuit	mm	10
command circuit	mm	8

Mechanical features

Operating position

normal allowable	Vertical plan ±30°
------------------	--------------------

Fixing

Screw / DIN rail 35mm

Weight

g 494

Auxiliary contact characteristics

Thermal current I<sub>th</sub>

A 10

IEC/EN 60947-5-1 designation

A600 - P600

Operating current AC15

230V	A	3
400V	A	1.9
500V	A	1.4

Operating current DC12

110V	A	5.7
------	---	-----

Operating current DC13

24V	A	5.7
48V	A	2.9
60V	A	2.3
110V	A	1.25
125V	A	1.1
220V	A	0.55
600V	A	0.2

Operations

Mechanical life

cycles 20000000

Electrical life

cycles 2000000

Safety related data

Performance level B10d according to EN/ISO 13489-1

rated load	cycles	2000000
mechanical load	cycles	20000000

Mirror contacts according to IEC/EN 60947-4-1 annex F

Yes

EMC compatibility

yes

DC coil operating

DC rated control voltage

V 48

DC operating voltage

pick-up	min	%Us	70
	max	%Us	125
<hr/>			
drop-out	min	%Us	10
	max	%Us	40

Average coil consumption  $\leq 20^{\circ}\text{C}$

in-rush	W	5.4
holding	W	5.4

**Max cycles frequency**

Mechanical operation	cycles/h	3600
----------------------	----------	------

**Operating times**

Average time for Us control

in AC

Closing NO

min	ms	8
max	ms	24

Opening NO

min	ms	10
max	ms	20

Closing NC

min	ms	14
max	ms	28

Opening NC

min	ms	7
max	ms	18

in DC

Closing NO

min	ms	54
max	ms	66

Opening NO

min	ms	14
max	ms	17

Closing NC

min	ms	24
max	ms	30

Opening NC

min	ms	47
max	ms	57

**UL technical data**

Rated operational voltage AC (UL)	V	600
-----------------------------------	---	-----

Full-load current (FLA) for three-phase AC motor

at 480V	A	11
at 600V	A	11

Yielded mechanical performance

for single-phase AC motor

110/120V	HP	1
230V	HP	2

for three-phase AC motor

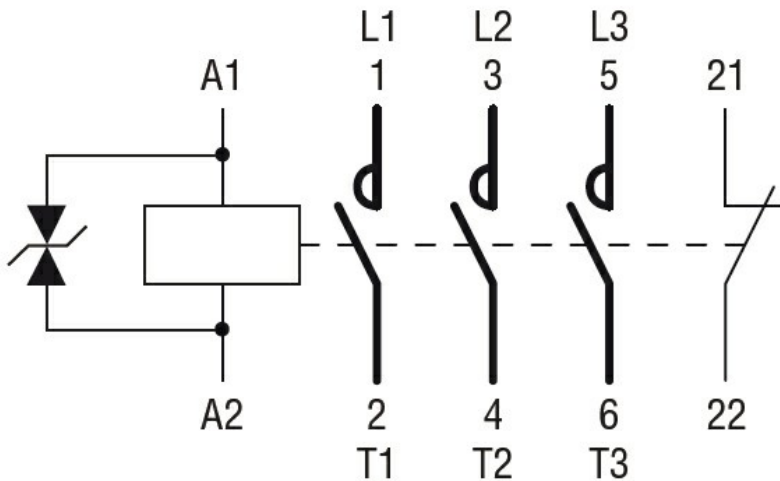
200/208V	HP	5
220/240V	HP	5
460/480V	HP	7.5
575/600V	HP	10

General USE

Contactor		AC current	A	28
Auxiliary contacts		AC voltage	V	600
		AC current	A	10
		DC voltage	V	250
		DC current	A	1
Short-circuit protection fuse, 600V				
High fault		Short circuit current	kA	100
		Fuse rating	A	30
		Fuse class		J
Standard fault		Short circuit current	kA	5
		Fuse rating	A	70
Contact rating of auxiliary contacts according to UL				A600 - P600
<b>Ambient conditions</b>				
Temperature				
Operating temperature		min	°C	-50
		max	°C	70
Storage temperature		min	°C	-60
		max	°C	80
Max altitude			m	3000
<b>Resistance &amp; Protection</b>				
Pollution degree				3
<b>Dimensions</b>				



Wiring diagrams



Certifications and compliance

Compliance

CSA C22.2 n° 60947-1

CSA C22.2 n° 60947-4-1

IEC/EN 60335-2-89

IEC/EN/BS 60947-1

IEC/EN/BS 60947-4-1

UL 60947-1

UL 60947-4-1

---

Certificates

CCC

---

CSA C22.2 n. 60335-2-40:22 LZGH A2L

---

CSA C22.2 No. 60335-2-89:21 LZGH A2L

---

cULus

---

EAC

---

UL 60335-2-40 LZGH A2L

---

UL 60335-2-89 LZGH A2L

---

ETIM classification

ETIM 8.0

EC000066 -  
Power contactor,  
AC switching