



Contact characteristics

Number of poles	Nr.	3
Rated insulation voltage U_i IEC/EN	V	1000
Rated impulse withstand voltage U_{imp}	kV	8
Operational frequency	min	Hz 25
	max	Hz 400
IEC Conventional free air thermal current $I_{th} \leq 40^\circ C$	A	1000
Operational current I_e	AC-1 ($\leq 40^\circ C$)	A 1000
	AC-1 ($\leq 55^\circ C$)	A 850
	AC-1 ($\leq 70^\circ C$)	A 700
	AC-4 (400V)	A 260
Rated operational power AC-1 ($T \leq 40^\circ C$)	230V	kW 350
	400V	kW 600
	500V	kW 750
	690V	kW 1000
IEC max current I_e in DC1 with $L/R \leq 1ms$ with 1 poles in series	75V	A 800
	110V	A 460
	220V	A --
	330V	A --
	460V	A --
IEC max current I_e in DC1 with $L/R \leq 1ms$ with 2 poles in series	75V	A 800
	110V	A 800
	220V	A 700
	330V	A --
	460V	A --
IEC max current I_e in DC1 with $L/R \leq 1ms$ with 3 poles in series	75V	A 800
	110V	A 800
	220V	A 800
	330V	A 700
	460V	A --
IEC max current I_e in DC1 with $L/R \leq 1ms$ with 4 poles in series	75V	A 800
	110V	A 800
	220V	A 800
	330V	A 750
	460V	A 700
IEC max current I_e in DC3-DC5 with $L/R \leq 15ms$ with 1 poles in series	75V	A 800
	110V	A 460

	220V	A	--
	330V	A	--
	460V	A	--
IEC max current I _e in DC3-DC5 with L/R ≤ 15ms with 2 poles in series			
	75V	A	800
	110V	A	800
	220V	A	700
	330V	A	--
	460V	A	--
IEC max current I _e in DC3-DC5 with L/R ≤ 15ms with 3 poles in series			
	75V	A	800
	110V	A	800
	220V	A	800
	330V	A	650
	460V	A	--
IEC max current I _e in DC3-DC5 with L/R ≤ 15ms with 4 poles in series			
	75V	A	800
	110V	A	800
	220V	A	800
	330V	A	650
	460V	A	700
Short-time allowable current for 10s (IEC/EN60947-1)		A	5600
Protection fuse		gG (IEC)	A 1000
Making capacity (RMS value)		A	6300
Breaking capacity at voltage		440V	A 6300
		500V	A 5600
		690V	A 5000
Resistance per pole (average value)		mΩ	0.14
Power dissipation per pole (average value)		I _{th}	W 140
		AC-3	W 56
Tightening torque for terminals		min	Nm 55
		max	Nm 55
		min	I _{bin} 40.6
		max	I _{bin} 40.6
Tightening torque for coil terminal		min	Nm 1
		max	Nm 1
		min	I _{bin} 0.74
		max	I _{bin} 0.74
Max number of wires simultaneously connectable		Nr.	2
Conductor section			
	AWG/Kcmil		
		max	2x 900 kcmil
Power terminal protection according to IEC/EN 60529			IP00
Mechanical features			
Operating position		normal allowable	Vertical plan ±30°
Fixing			Screw

Weight	g	2120		
Operations				
Mechanical life	cycles	5000000		
Electrical life	cycles	700000		
Safety related data				
Performance level B10d according to EN/ISO 13489-1				
	rated load	cycles	700000	
	mechanical load	cycles	5000000	
Mirror contacts according to IEC/EN 60947-4-1 annex F			Yes	
EMC compatibility			yes	
AC coil operating				
Rated AC voltage at 50/60Hz	V	60		
AC operating voltage				
of 50/60Hz coil powered at 50Hz				
pick-up				
	min	%Us	80	
	max	%Us	110	
drop-out				
	min	%Us	20	
	max	%Us	60	
of 50/60Hz coil powered at 60Hz				
pick-up				
	min	%Us	80	
	max	%Us	110	
drop-out				
	min	%Us	20	
	max	%Us	60	
of 60Hz coil powered at 60Hz				
pick-up				
	min	%Us	80	
	max	%Us	110	
drop-out				
	min	%Us	20	
	max	%Us	60	
AC average coil consumption at 20°C				
of 50/60Hz coil powered at 50Hz				
	in-rush	VA	400	
	holding	VA	18	
of 50/60Hz coil powered at 60Hz				
	in-rush	VA	400	
	holding	VA	18	
Dissipation at holding ≤20°C 50Hz		W	18	
DC coil operating				
DC rated control voltage	V	60		
DC operating voltage				
pick-up				
	min	%Us	80	
	max	%Us	110	
drop-out				
	min	%Us	20	
	max	%Us	60	
Average coil consumption ≤20°C				
	in-rush	W	400	
	holding	W	18	

Max cycles frequency

Mechanical operation cycles/h 1200

Operating times

Average time for Us control					
	in AC				
		Closing NO	min	ms	110
			max	ms	180
		Opening NO	min	ms	60
			max	ms	100
<hr/>					
	in DC				
		Closing NO	min	ms	110
			max	ms	180
		Opening NO	min	ms	60
			max	ms	100

UL technical data

Rated operational voltage AC (UL) V 600

General USE

Contactor				
		AC current	A	1000

Short-circuit protection fuse, 600V

Standard fault				
		Short circuit current	kA	18
		Fuse rating	A	1500
		Fuse class		L

Ambient conditions

Temperature

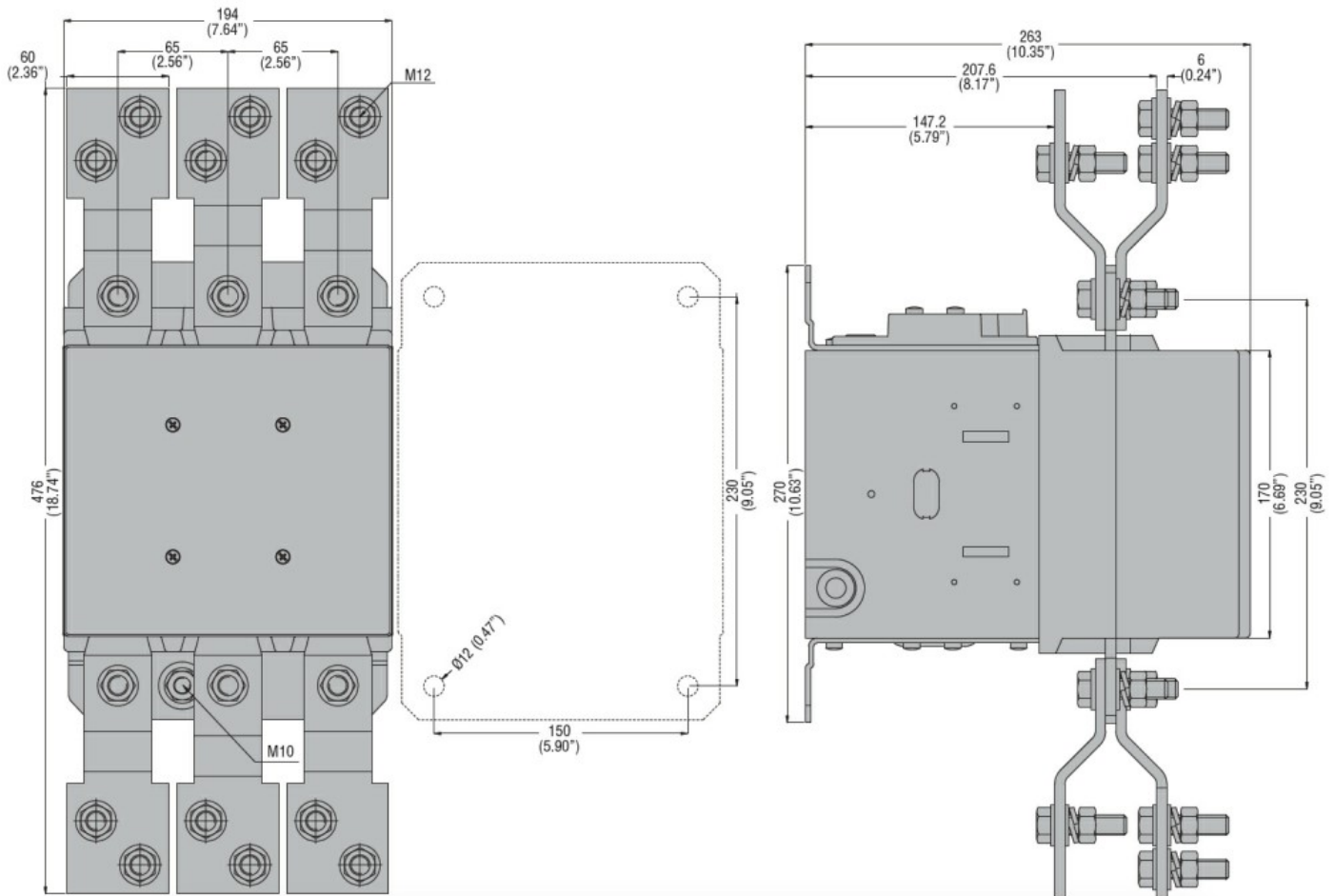
Operating temperature				
		min	°C	-50
		max	°C	70
<hr/>				
Storage temperature				
		min	°C	-60
		max	°C	80

Max altitude m 3000

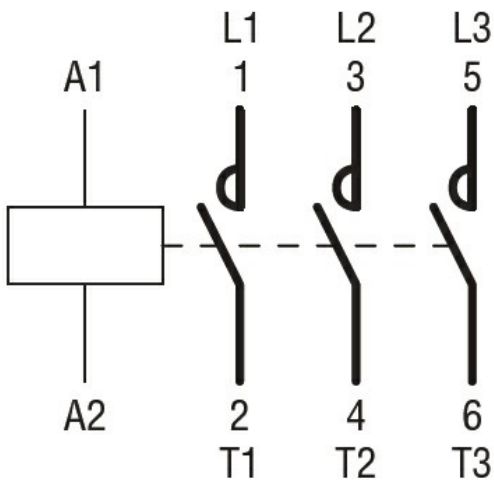
Resistance & Protection

Pollution degree 3

Dimensions



Wiring diagrams



Certifications and compliance

Compliance

- CSA C22.2 n° 60947-1
- CSA C22.2 n° 60947-4-1
- IEC/EN 60947-1
- IEC/EN 60947-4-1
- UL 60947-1
- UL 60947-4-1

Certificates

CCC

cULus

EAC

ETIM classification

ETIM 8.0

EC000066 -
Power contactor,
AC switching