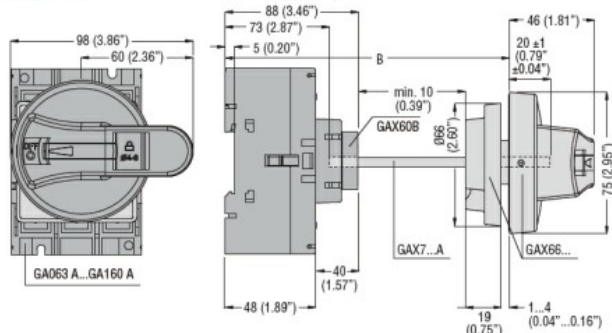


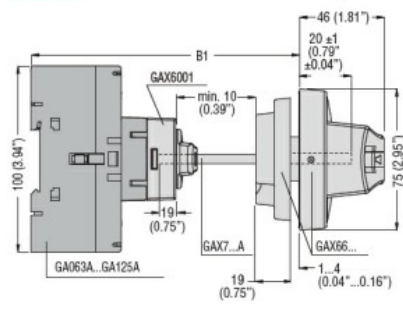


Dimensioni

GAX7...A used with GAX60 B and GAX66/66B



GAX7...A used with GAX60 01 and GAX66/66B



Extension	Length [mm(in)]	B	
		with GAX66/66B handle [mm(in)]	B1 [mm(in)]
GAX7150A	176 (6.93")	118...229 (4.64"...9.01")	119...205 (4.68"...8.07")
GAX7200A	225 (8.90")	118...279 (4.64"...10.99")	119...255 (4.68"...10.03")
GAX7300A	326 (12.83")	118...379 (4.64"...14.92")	119...355 (4.68"...13.98")

Omologazioni e conformità

Omologazioni

CSA C22.2

IEC/EN 60947-1

IEC/EN 60947-3

UL508

UL98

Certificazioni

CSA C22.2 n°4

cULus according to UL98

EAC

Classificazione ETIM

ETIM 8.0

EC002498 -
Accessori per
dispositivi di
commutazione
bassa tensione