



### General characteristics

#### Material

Housing	Aluminium-zinc alloy
---------	----------------------

### Contact characteristics

Type of contact		1NO+1NC
Thermal current I <sub>th</sub>	A	10
Rated insulation voltage U <sub>i</sub>	V	400
Short-circuit protection with fuse	Class/A	10 gG/SC QUICK FUSE
IEC Conventional free air thermal current I <sub>th</sub> ≤ 40°C	A	10
Resistance per pole (average value)	mΩ	<10

### Mechanical features

Operating head fixing		Fixed
Tightening torque (Max)		
Switch fixing	Nm lbin	2.5 22.1

#### Conductor section

AWG/Kcmil			
	max		14
IEC			
	max	mm <sup>2</sup>	2.5

#### Cable connection

Screw terminal with clamp

#### Cable entry

PG11

#### Weight

g 290

### Operations

Mechanical life	cycles	>10000000
Mechanical operation	cycles/h	3600

### Ambient conditions

#### Temperature

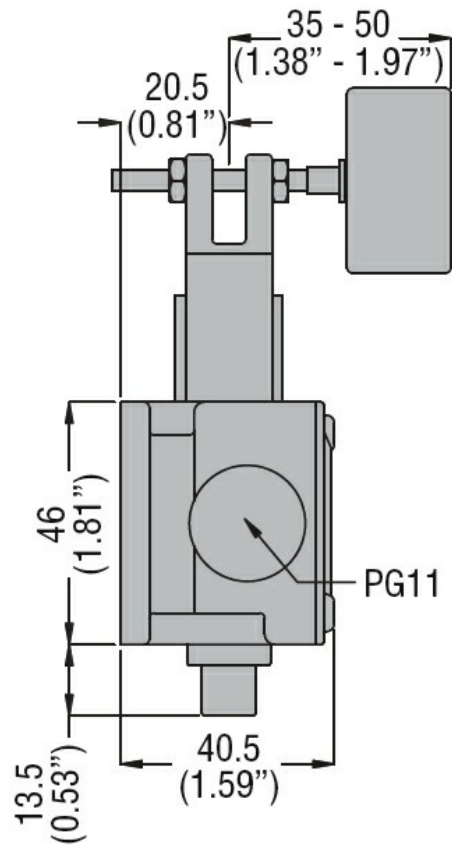
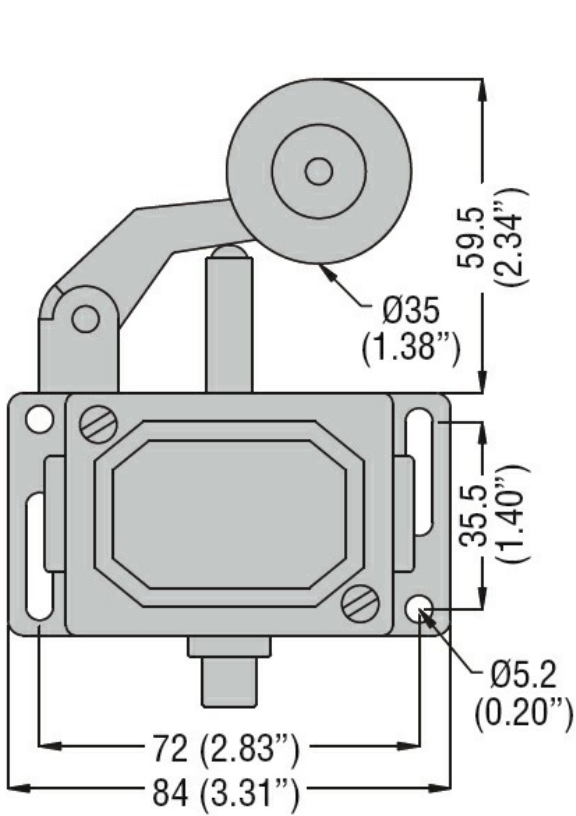
Operating temperature			
	min	°C	-25
	max	°C	+70
Storage temperature			
	min	°C	-40
	max	°C	+70

### Resistance & Protection

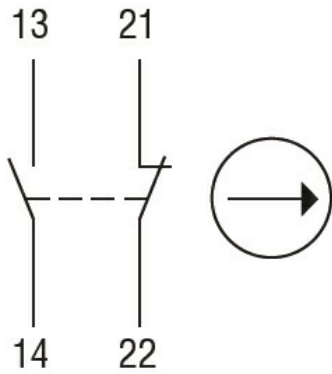
#### IP degree

Body housing	IP40
--------------	------

### Dimensions



Wiring diagrams



1NO + 1NC

Certifications and compliance

Compliance

- EN 81-1.
- IEC/EN 60947-1
- IEC/EN 60947-5-1

Certificates

EAC

ETIM classification

ETIM 8.0

EC000030 - End switch