



General characteristics

Material

Housing Aluminium-zinc alloy

Contact characteristics

| | | |
|--|---------|------------------------|
| Type of contact | | 2NO |
| Thermal current I _{th} | A | 10 |
| Rated insulation voltage U _i | V | 400 |
| Short-circuit protection with fuse | Class/A | 10 gG/SC QUICK FUSE |
| IEC Conventional free air thermal current I _{th} ≤ 40°C | A | 10 |
| Resistance per pole (average value) | mΩ | <10 |

Mechanical features

| | | |
|-------------------------|------------|-------------|
| Operating head fixing | | Fixed |
| Tightening torque (Max) | | |
| Switch fixing | Nm lbin | 2.5 22.1 |

Conductor section

| | | | |
|-----------|-----|-----------------|-----|
| AWG/Kcmil | | | |
| | max | | 14 |
| IEC | | | |
| | max | mm ² | 2.5 |

Cable connection

Screw terminal with clamp

Cable entry

PG11

Weight

g 240

Operations

| | | |
|----------------------|----------|-----------|
| Mechanical life | cycles | >10000000 |
| Mechanical operation | cycles/h | 3600 |

Ambient conditions

Temperature

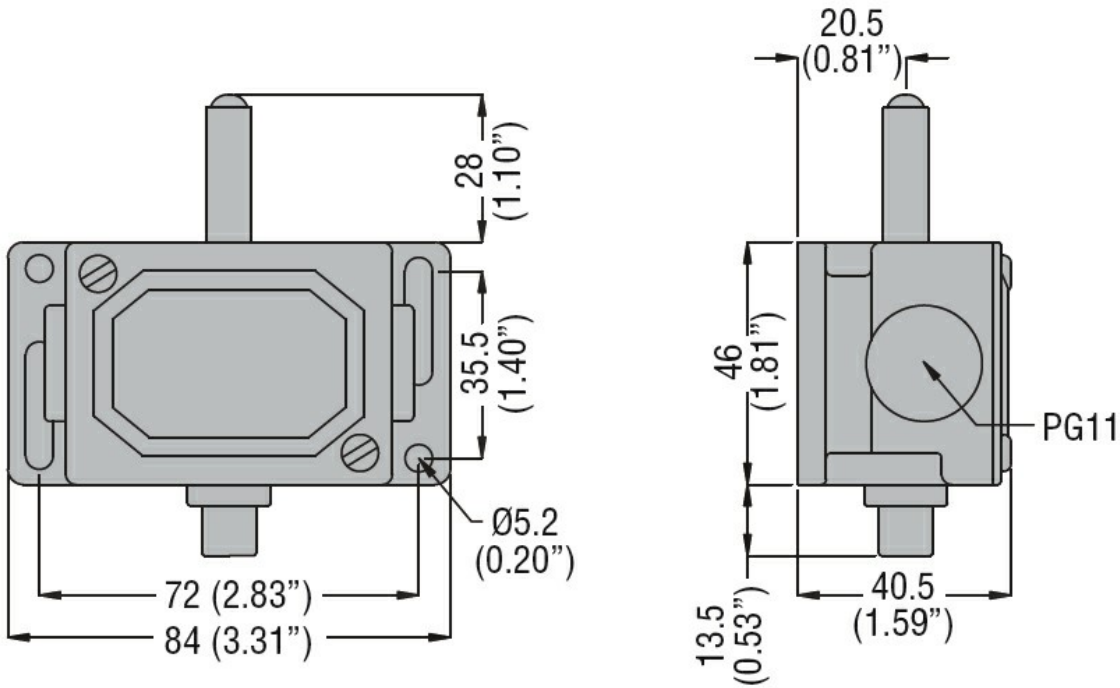
| | | | |
|-----------------------|-----|----|-----|
| Operating temperature | | | |
| | min | °C | -25 |
| | max | °C | +70 |
| Storage temperature | | | |
| | min | °C | -40 |
| | max | °C | +70 |

Resistance & Protection

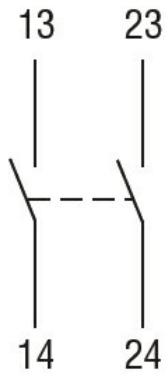
IP degree

Body housing IP40

Dimensions



Wiring diagrams



2NO

Certifications and compliance

Compliance

EN 81-1.
 IEC/EN 60947-1
 IEC/EN 60947-5-1

Certificates

EAC

ETIM classification

ETIM 8.0

EC000030 - End switch