



Electrical features

Number of poles	Nr.	3
Rated current ($\leq 40^{\circ}\text{C}$)	A	250
Electronic overload trip adjustment range	A	80...250
Electronic short circuit trip adjustment range	A	120...2750
AC rated operation voltage U_e	V	600
Rated insulation voltage U_i	V	750
Rated impulse withstand voltage U_{imp}	kV	8
Heat dissipation per pole (max)	W	16

UL technical data

UL489 short circuit breaking capacity	240VAC 50/60Hz	kA	100
	480VAC 50/60Hz	kA	65
	600VAC 50/60Hz	kA	35
IEC60947-2 Icu short circuit breaking capacity	220...240VAC 50/60Hz	kA	100
	380...415VAC 50/60Hz	kA	65
	480...500VAC 50/60Hz	kA	35

Mechanical features

Terminals	screw tool	M8 x 23 Allen key 3/8"
	Tightening torque for terminals	
	max	Nm 44
	max	lbin 389.4
Mounting position	normal	On vertical plan
	allowable	Any
Fixing		Screw
Weight	g	2040
Mechanical life	cycles	25000
Electrical life	cycles	10000
Dimensions (W x H x D)	mm	105x190x87

Ambient conditions

Temperature	Operating temperature	min	$^{\circ}\text{C}$	-20
		max	$^{\circ}\text{C}$	+70
	Storage temperature	min	$^{\circ}\text{C}$	-40
		max	$^{\circ}\text{C}$	+80

Current derating for temperature $> 40^{\circ}\text{C}$

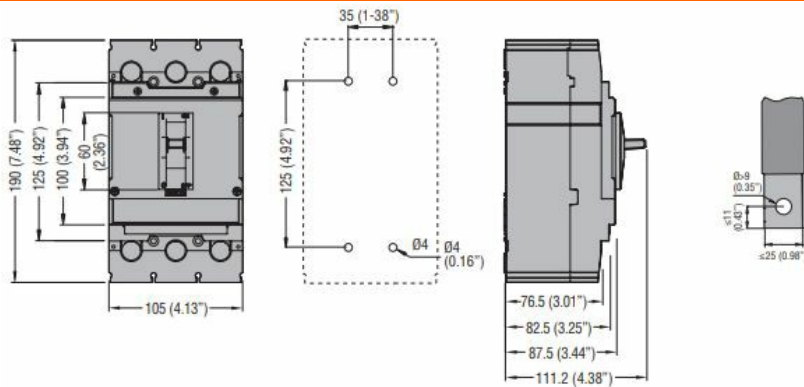
50°C	$^{\circ}\text{C}$	234
60°C	$^{\circ}\text{C}$	220
70°C	$^{\circ}\text{C}$	205

Resistance & Protection

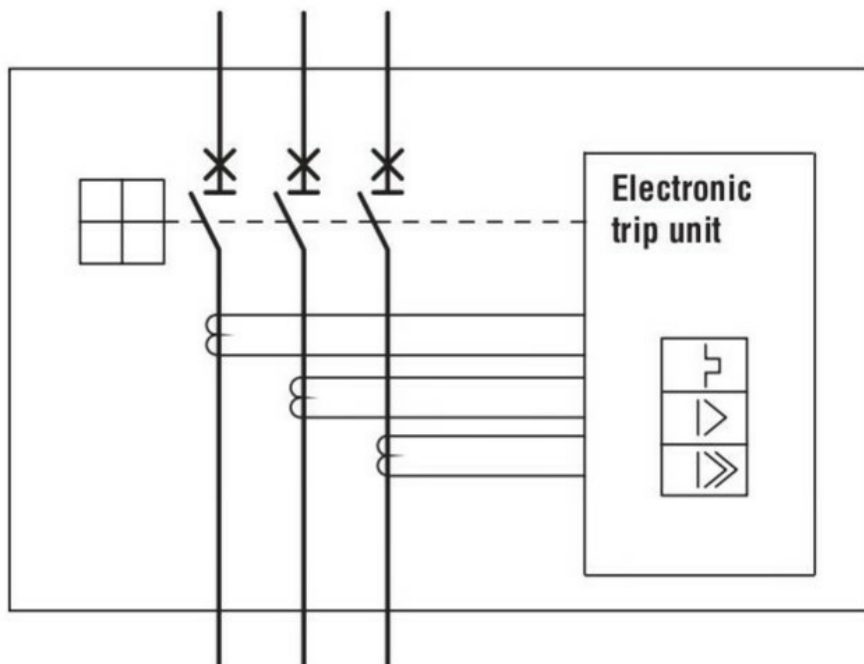
Frontal IP degree

IP20

Dimensions



Wiring diagrams



Certifications and compliance

Compliance

cULus

ETIM classification

EC000066 - Power contactor, AC switching