



Electrical features

Number of poles	Nr.	3
Rated current ($\leq 40^{\circ}\text{C}$)	A	100
Electronic overload trip adjustment range	A	40...100
Electronic short circuit trip adjustment range	A	60...1100
AC rated operation voltage U_e	V	600
Rated insulation voltage U_i	V	750
Rated impulse withstand voltage U_{imp}	kV	8
Heat dissipation per pole (max)	W	9.6

UL technical data

UL489 short circuit breaking capacity	240VAC 50/60Hz	kA	100
	480VAC 50/60Hz	kA	65
	600VAC 50/60Hz	kA	35
IEC60947-2 Icu short circuit breaking capacity	220...240VAC 50/60Hz	kA	100
	380...415VAC 50/60Hz	kA	65
	480...500VAC 50/60Hz	kA	35

Mechanical features

Terminals	screw tool		1/4-20unc x 16 Phillips 2
Tightening torque for terminals	max	Nm	15.1
	max	lbin	133.6
Mounting position	normal allowable		On vertical plan Any
			Screw
Fixing			Screw
Weight		g	1790
Mechanical life		cycles	25000
Electrical life		cycles	10000
Dimensions (W x H x D)		mm	105x165x87

Ambient conditions

Temperature	Operating temperature	min	$^{\circ}\text{C}$	-20
		max	$^{\circ}\text{C}$	+70
	Storage temperature	min	$^{\circ}\text{C}$	-40
		max	$^{\circ}\text{C}$	+80

Current derating for temperature $> 40^{\circ}\text{C}$

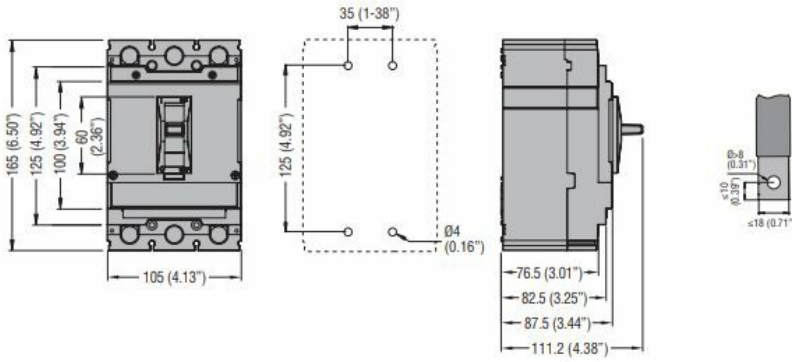
50°C	$^{\circ}\text{C}$	94
60°C	$^{\circ}\text{C}$	88
70°C	$^{\circ}\text{C}$	82

Resistance & Protection

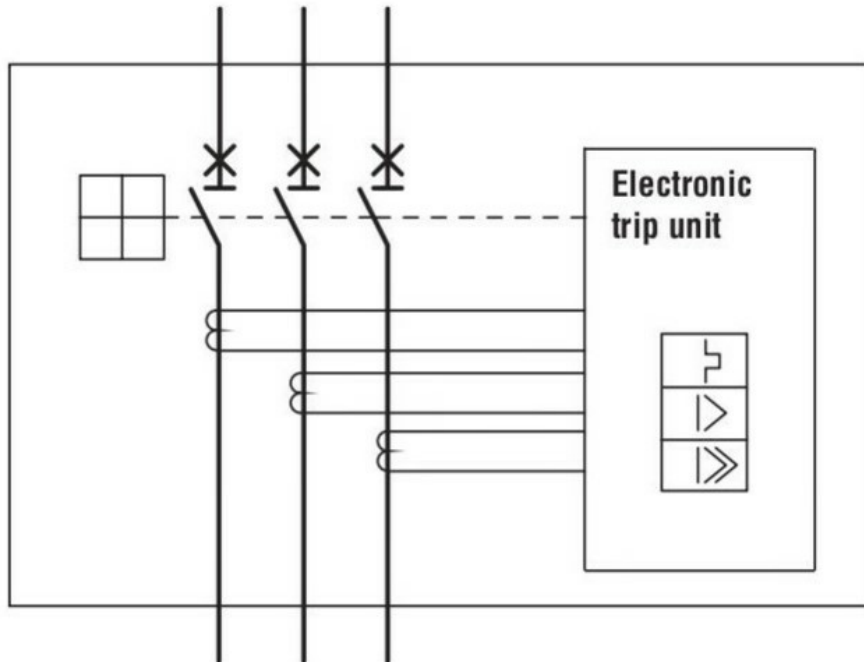
Frontal IP degree

IP20

Dimensions



Wiring diagrams



Certifications and compliance

Compliance

cULus

ETIM classification

EC000066 - Power contactor, AC switching