



General characteristics

Material	Housing	Aluminium-zinc alloy	
----------	---------	----------------------	--

Contact characteristics

Type of contact		2NO+2NC	
Thermal current I _{th}	A	6	
Rated insulation voltage U _i	V	400	
Short-circuit protection with fuse	Class/A	10 gG/SC QUICK FUSE	
IEC Conventional free air thermal current I _{th} ≤ 40°C	A	6	
Resistance per pole (average value)	mΩ	<10	

Mechanical features

Operating head fixing		Fixed	
Operating torque	N	40	
	lb	9	
Tightening torque (Max)			
Switch fixing	Nm	2.5	
	lbin	22.1	

Conductor section	AWG/Kcmil		
		max	14
	IEC	max	mm ² 2.5

Cable connection	Self-releasing screw terminal		
Cable entry	PG11 with cable gland		
Weight	g	459	

Operations

Mechanical life	cycles	>10000000	
Mechanical operation	cycles/h	3600	

Ambient conditions

Temperature	Operating temperature	min	°C	-25
		max	°C	+70
	Storage temperature	min	°C	-40
		max	°C	+70

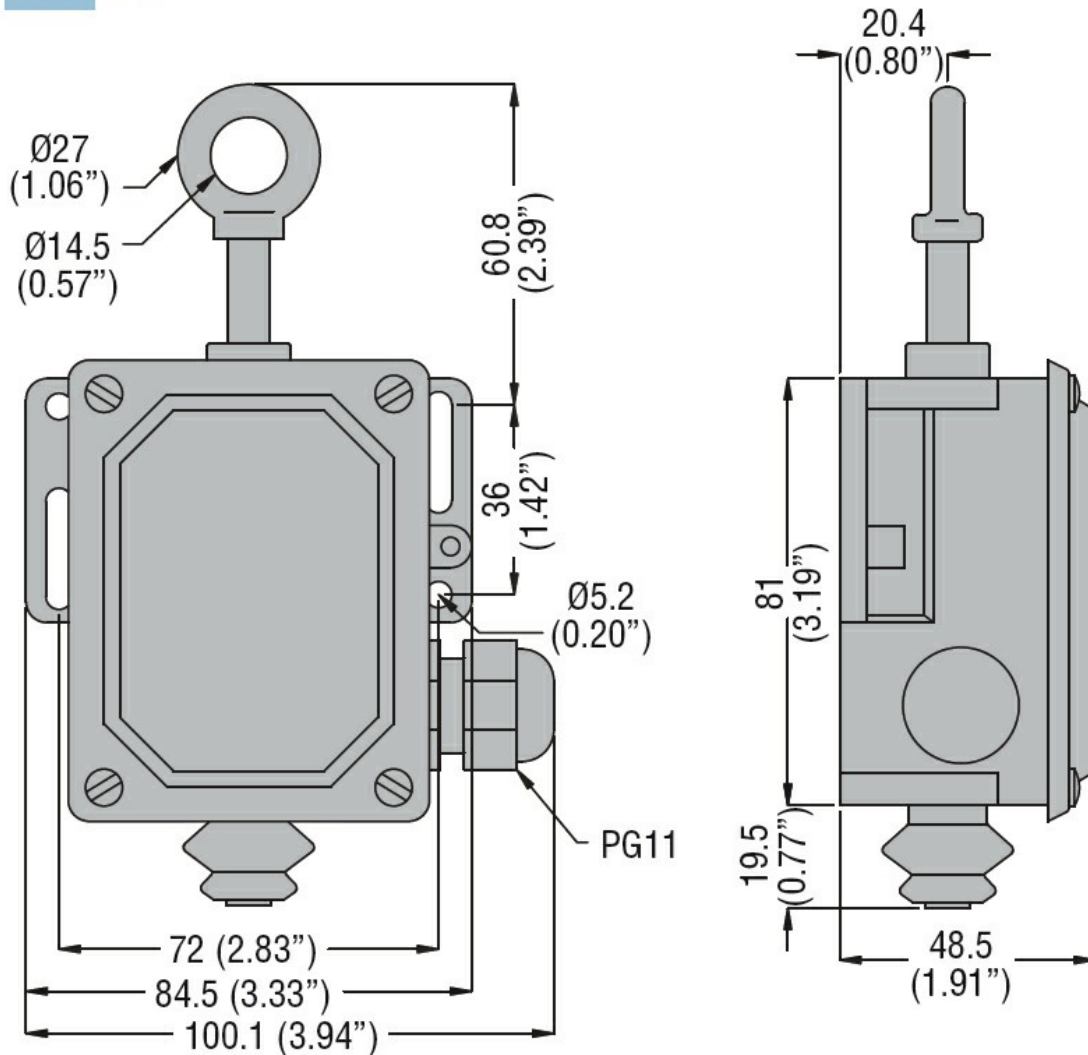
Resistance & Protection

IP degree	Body housing	IP65	
-----------	--------------	------	--

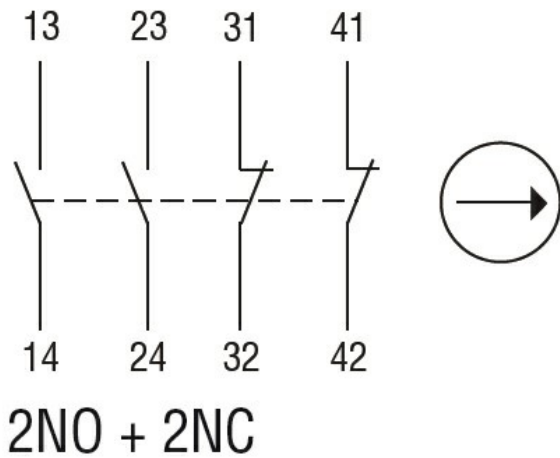
Pollution degree

3

Dimensions



Wiring diagrams



Certifications and compliance

Compliance

- EN 81-1.
- IEC/EN 60947-1
- IEC/EN 60947-5-1

Certificates

EAC

IMQ

ETIM classification

ETIM 8.0

EC000030 - End
switch