



### Electrical features

|  |     |         |
|--|-----|---------|
| Rated insulation voltage $U_i$ IEC/EN                | V   | 400     |
| Rated impulse withstand voltage $U_{imp}$            | kV  | 4       |
| Rated operational voltage AC (IEC)                   | VAC | 230/400 |
| Rated frequency                                      | Hz  | 50/60   |
| Rated current ( $I_n$ )                              | A   | 25      |
| Residual operation characteristic                    |     | A       |
| Rated residual current                               | mA  | 300     |
| Rated conditional short-circuit current ( $I_{nc}$ ) | kA  | 10      |
| Power dissipation per pole max                       | W   | 0.5     |

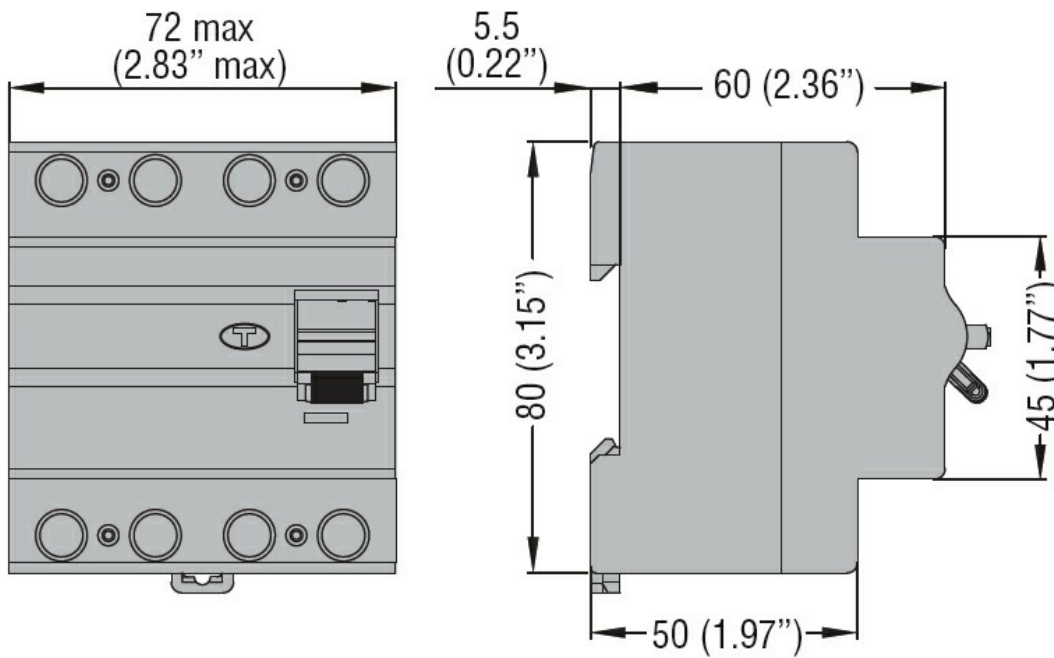
### Ambient conditions

|                       |     |    |      |
|-----------------------|-----|----|------|
| Operating temperature | min | °C | -35  |
|                       | max | °C | +70  |
| Storage temperature   | min | °C | -40  |
|                       | max | °C | 80   |
| Max altitude          | m   |    | 2000 |

### Mechanical features

|                                 |           |        |                 |               |
|---------------------------------|-----------|--------|-----------------|---------------|
| Operating position              |           | normal |                 | Vertical plan |
| Fixing                          |           |        |                 | 35mm DIN rail |
| Tightening torque for terminals | min       | Nm     | 1.8             |               |
|                                 | max       | Nm     | 2               |               |
|                                 | min       | Ibin   | 16              |               |
|                                 | max       | Ibin   | 17.7            |               |
| Terminals tool                  |           |        |                 | Pz 2          |
| Conductor section               | IEC       | min    | mm <sup>2</sup> | 2.5           |
|                                 |           | max    | mm <sup>2</sup> | 35            |
|                                 | AWG/Kcmil | min    |                 | 14            |
|                                 |           | max    | kcmil           | 2             |
| Weight                          |           | g      | 326             |               |
| Frontal IP degree               |           |        |                 | IP20          |
| Pollution degree                |           |        |                 | 2             |

### Dimensions



**Certifications and compliance**

Compliance

IEC/EN/BS 61008-1

Certifications

EAC

TÜV-SUD

**ETIM classification**

ETIM 8.0

EC000003 -  
Residual current  
circuit breaker  
(RCCB)