



Electrical features

| | | |
|---|--------|----------|
| Rated insulation voltage U_i IEC/EN | V | 440 |
| Rated impulse withstand voltage U_{imp} | kV | 4 |
| Rated operational voltage AC (IEC) | VAC | 230/400 |
| Rated operational voltage AC (UL) | V | 480Y/277 |
| Rated operational voltage DC | VDC | 125 |
| Rated frequency | Hz | 50/60 |
| Rated current (I_n) | A | 3 |
| Tripping curve | | C |
| Short circuit rating (IEC) | kA | 10 |
| Short circuit rating (UL) | kA | 10 |
| Electrical life | cycles | 10000 |
| Power dissipation per pole max | W | 2.16 |

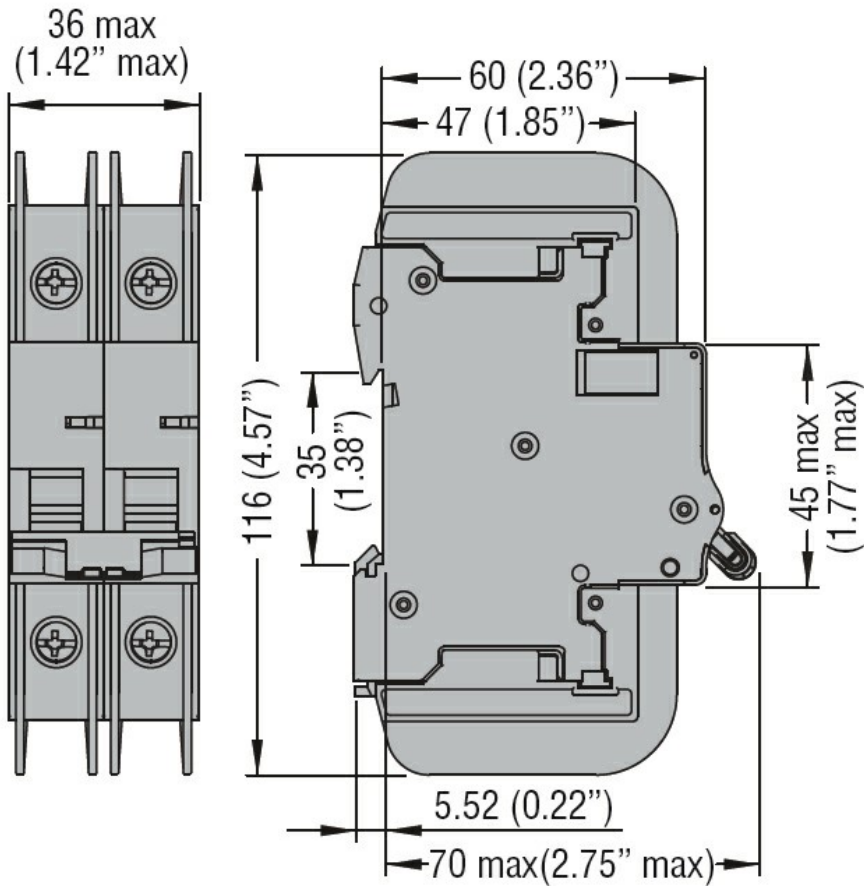
Ambient conditions

| | | | |
|-----------------------|-----|----|------|
| Operating temperature | min | °C | -40 |
| | max | °C | +70 |
| Storage temperature | min | °C | -40 |
| | max | °C | +80 |
| Max altitude | | m | 2000 |

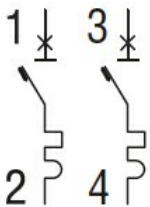
Mechanical features

| | | | | |
|---------------------------------|-----------|--------|-----------------|----|
| Operating position | | normal | Vertical plan | |
| Fixing | | | 35mm DIN rail | |
| Tightening torque for terminals | min | Nm | 1.8 | |
| | max | Nm | 2 | |
| | min | Ibin | 16 | |
| | max | Ibin | 17.7 | |
| Terminals tool | | | Pz 2 | |
| Conductor section | IEC | min | mm ² | 1 |
| | | max | mm ² | 35 |
| | AWG/Kcmil | min | | 14 |
| | | max | kcmil | 6 |
| Mechanical life | | cycles | 20000 | |
| Weight | | g | 255 | |
| Frontal IP degree | | | IP20 | |
| Pollution degree | | | 2 | |

Dimensions



Wiring diagrams



Certifications and compliance

Compliance

IEC/EN 60947-2

UL489

Certifications

cULus

EAC

ETIM classification

ETIM 8.0

EC000042 -
Miniature circuit
breaker (MCB)