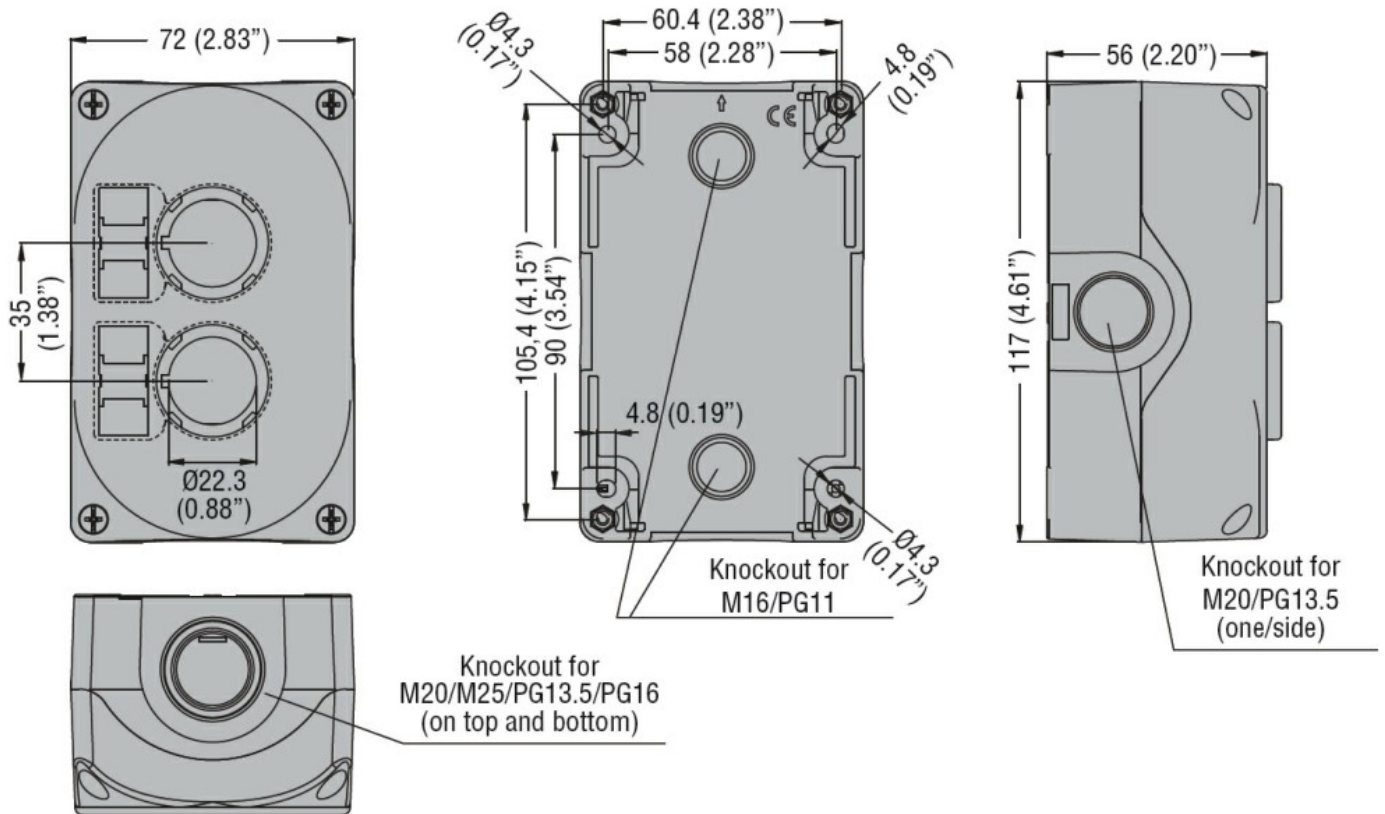




**Dimensions**



**Certifications and compliance**

**Certificates**

cULus