



**General characteristics**

Colour	Grey
Type of positions	Flush pushbutton
Material	Polycarbonate
IEC degree of protection	IP66, IP67, IP69K

**Ambient conditions**

Temperature

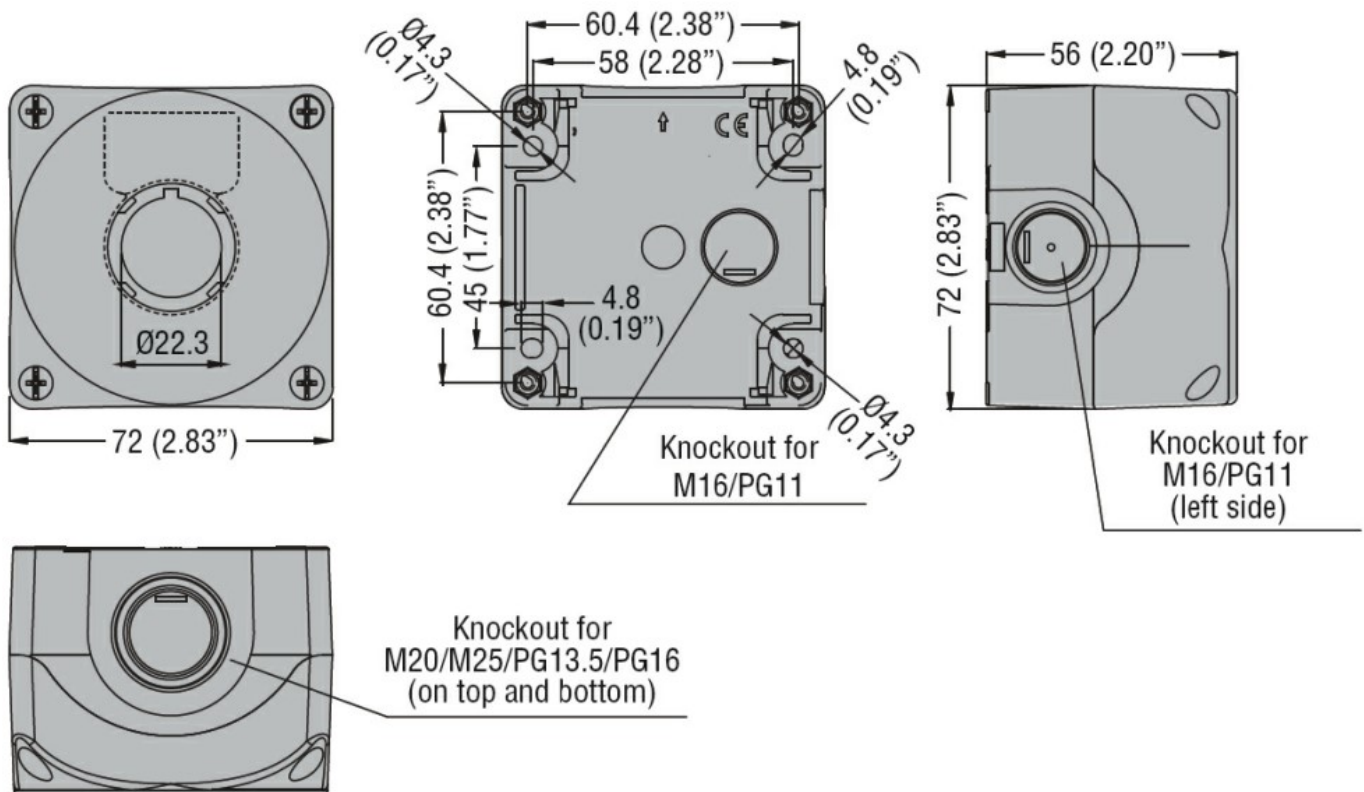
Operating temperature

min	°C	-25
max	°C	+70

Storage temperature

min	°C	-40
max	°C	+85

**Dimensions**



**Certifications and compliance**

Certificates

cULus

**ETIM classification**

ETIM 8.0

EC000225 -  
Control circuit  
devices  
combination in  
enclosure