



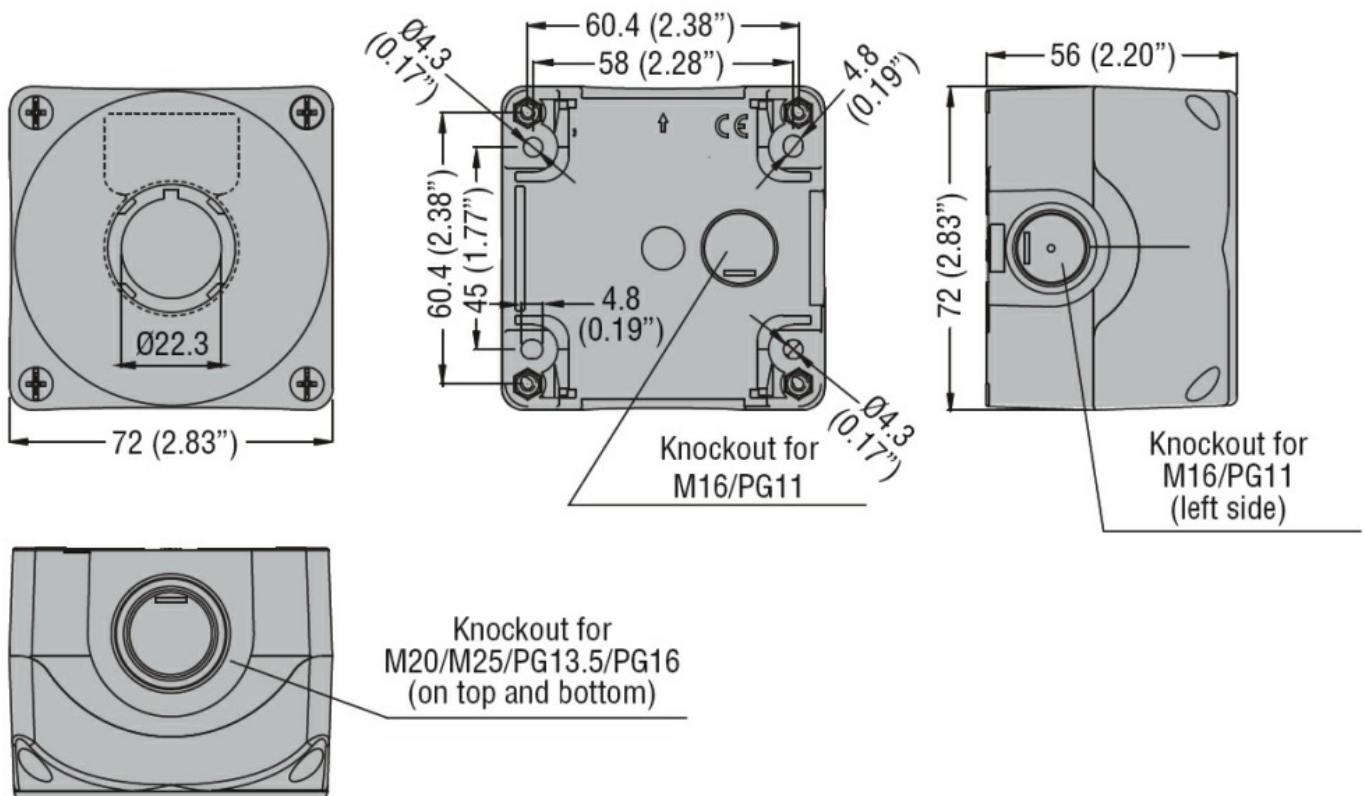
**General characteristics**

Colour	Yellow
Type of positions	Mushroom head pushbutton
Material	Polycarbonate
IEC degree of protection	IP66, IP67, IP69K

**Ambient conditions**

Temperature	Operating temperature	min	°C	-25
		max	°C	+70
	Storage temperature	min	°C	-40
		max	°C	+85

**Dimensions**



**Certifications and compliance**

**Certificates**

cULus

**ETIM classification**

ETIM 8.0

EC000225 -  
Control circuit  
devices  
combination in  
enclosure