



General characteristics

Colour	Yellow
Material	Polycarbonate
IEC degree of protection	IP66, IP67, IP69K

Mechanical features

Tightening torque for terminals max	Nm	1.8
Weight	g	107

UL technical data

UL degree of protection	1, 2, 3R, 4, 4X, 12K
-------------------------	----------------------

Ambient conditions

Temperature

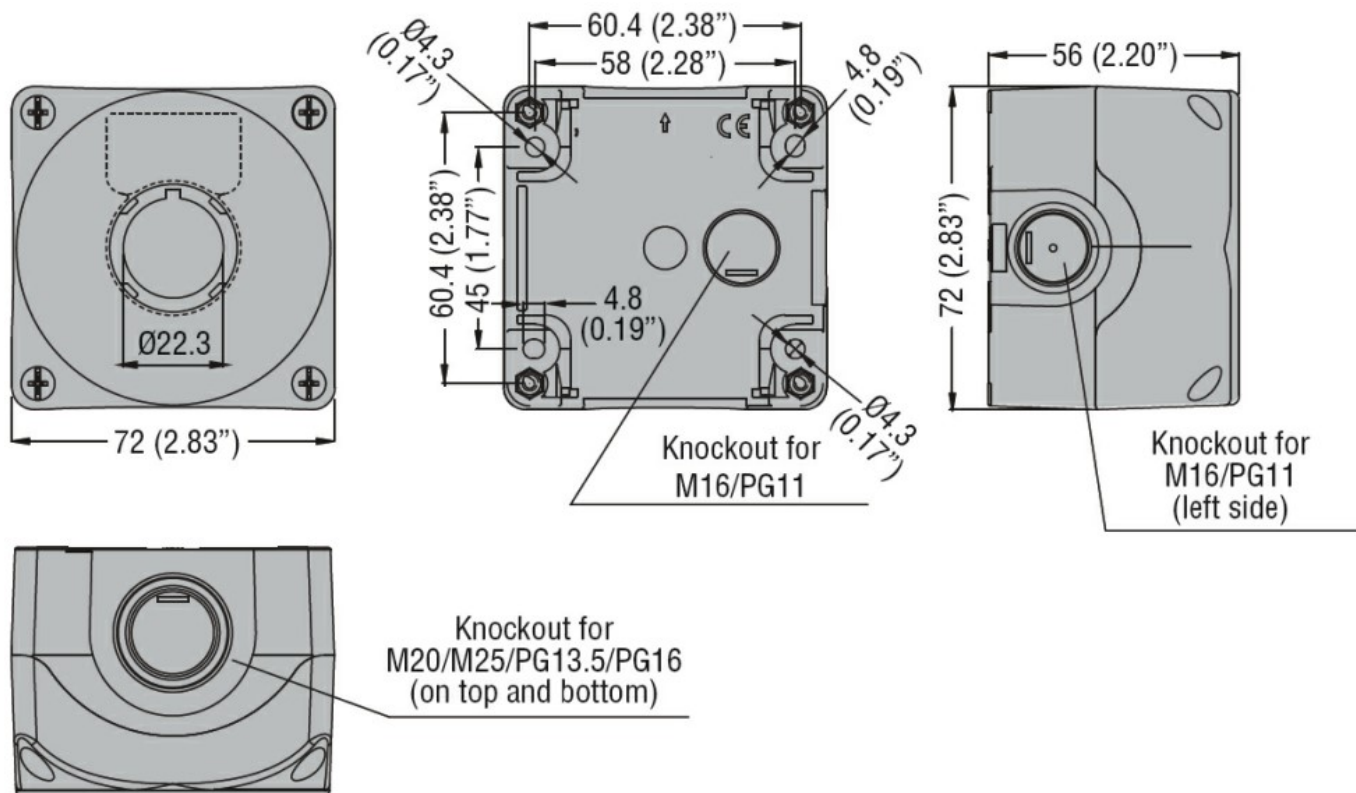
Operating temperature

min	°C	-25
max	°C	+70

Storage temperature

min	°C	-40
max	°C	+85

Dimensions



Certifications and compliance

Compliance

CSA C22.2 n° 14

IEC/EN 60947-1

IEC/EN 60947-5-1

UL508

Certificates

cULus

EAC

ETIM classification

ETIM 8.0

EC000200 -
Enclosure for
control circuit
devices