



General characteristics

Colour	Grey
IEC degree of protection	IP66 and IP67

Mechanical features

Weight	g	458
--------	---	-----

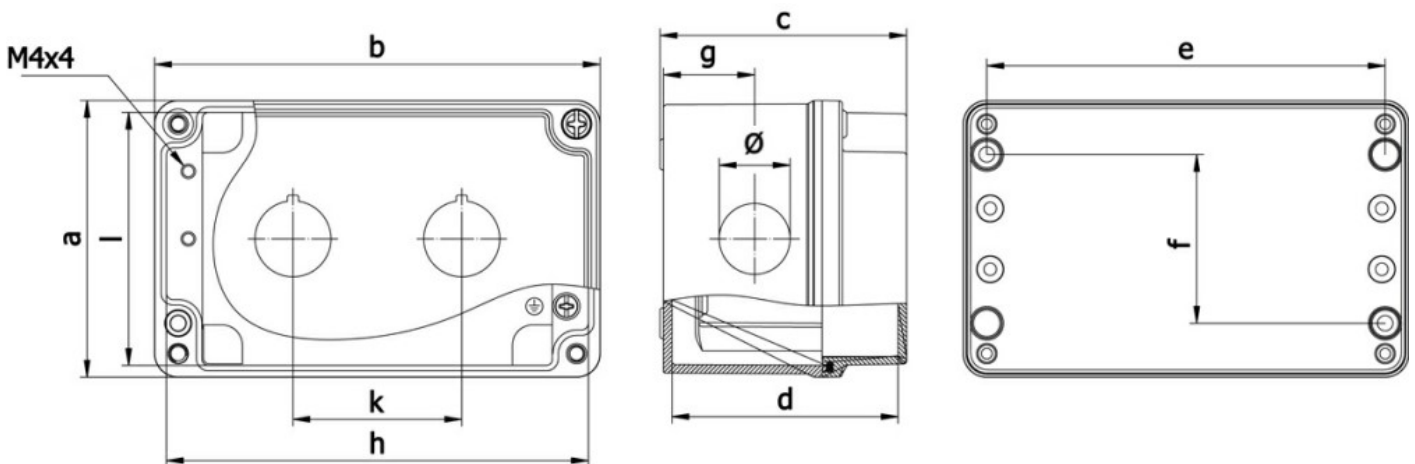
UL technical data

UL degree of protection	NEMA 4X
-------------------------	---------

Ambient conditions

Temperature	Operating temperature	min	°C	-25
		max	°C	+70
Storage temperature		min	°C	-40
		max	°C	+85

Dimensions



a	b	c	d	e	f	g	h	l	k	Ø
80	130	73	67	118	50	27	125	75	50	21

Certifications and compliance

Compliance	CSA C22.2 n° 14
	IEC/EN 60947-1
	IEC/EN 60947-5-1
	UL508

Certificates	cULus
	EAC

ETIM classification

ETIM 8.0

EC000200 -
Enclosure for
control circuit
devices