



Operations

Electrical life hours 100000

Mechanical features

Tightening torque for terminals max Nm 1

Conductor section

AWG/kcmil conductor section max 12

IEC

max mm² 1 or 2 / 2.5

Mounting adapter LPXAU120

Weight g 11

Ambient conditions

Temperature

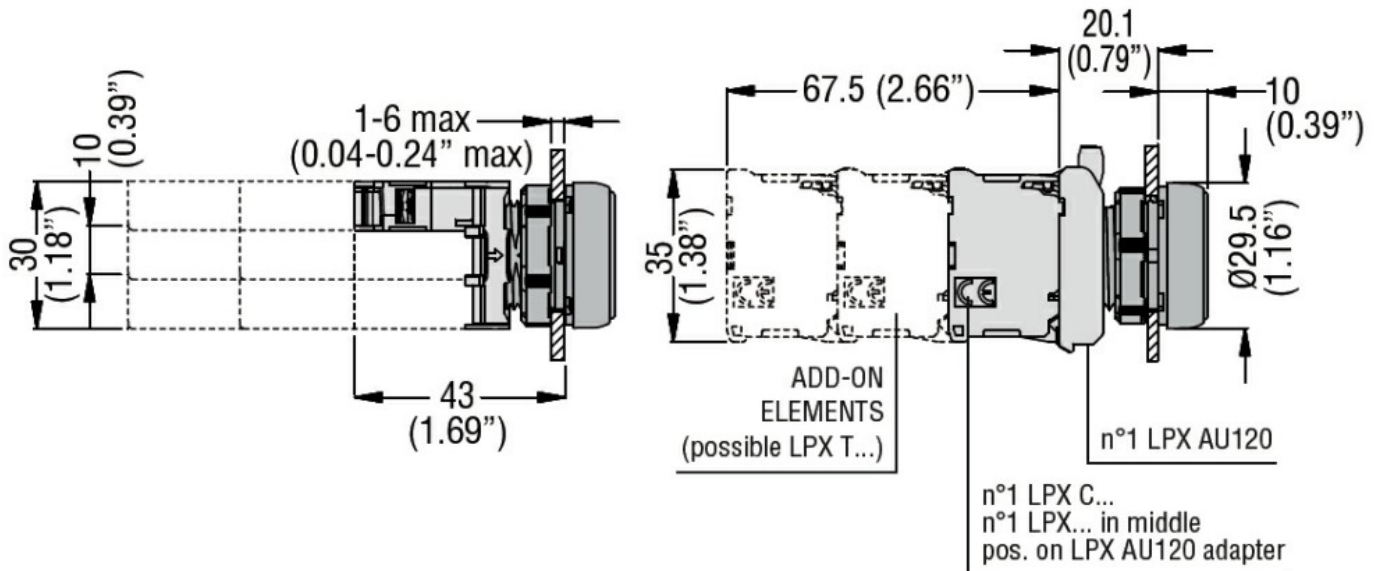
Operating temperature

min °C -25
max °C +70

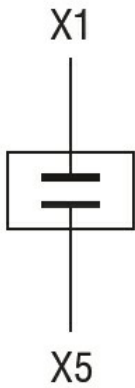
Storage temperature

min °C -40
max °C +85

Dimensions



Wiring diagrams



Certifications and compliance

Compliance

CSA C22.2 n° 14
IEC/EN/BS 60947-1
IEC/EN/BS 60947-5-1
UL508

Certificates

CCC
cULus
EAC
RINA

ETIM classification

ETIM 8.0

EC002498 -
Accessories/spare
parts for low-
voltage switch
technology