



**General characteristics**

Colour Yellow

**Electrical characteristics**

Supply voltage (AC) V 24

Supply voltage (DC) V 24

**Mechanical features**

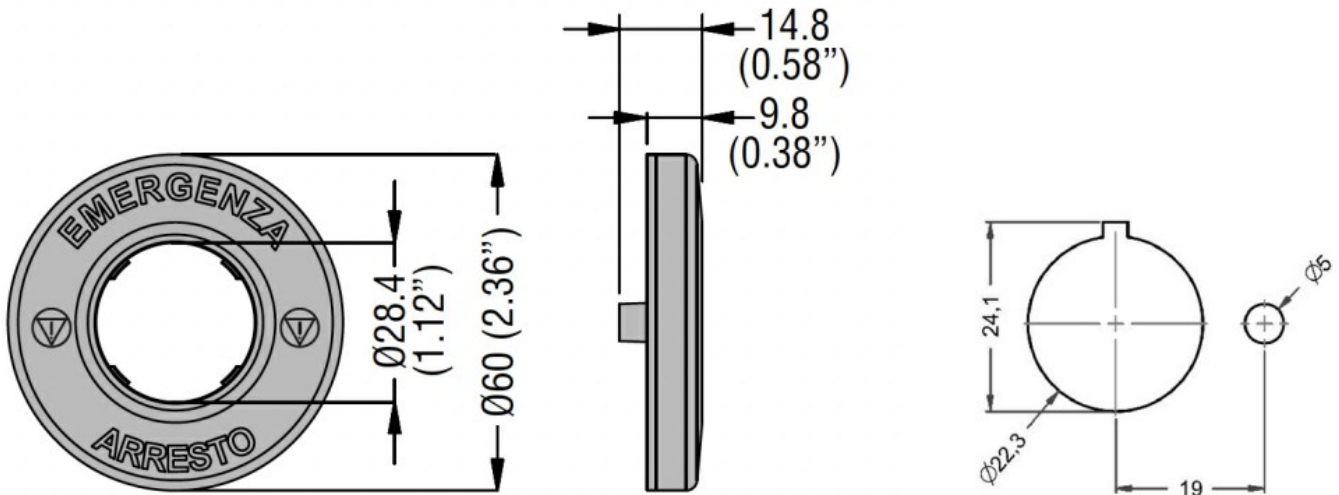
Operating position allowable Any

Weight g 22

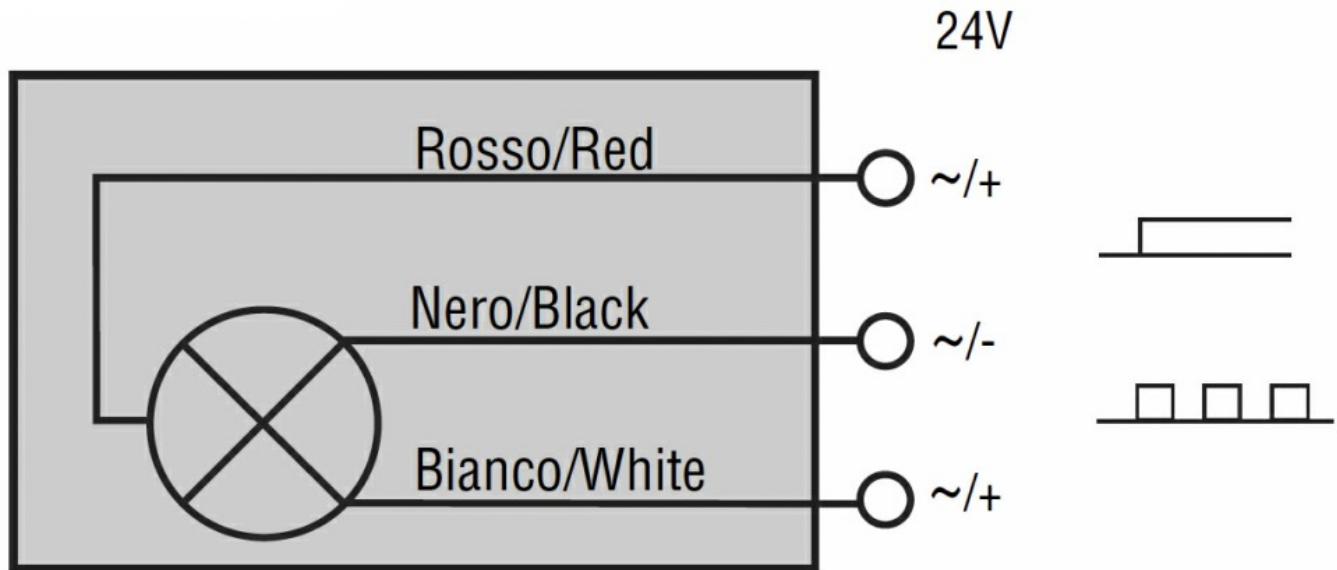
**Ambient conditions**

Temperature	Operating temperature	min	°C	-25
		max	°C	+60
	Storage temperature	min	°C	-40
		max	°C	+85

**Dimensions**



**Wiring diagrams**



**Certifications and compliance**

Compliance

CSA C22.2 n° 14

IEC/EN 60947-1

IEC/EN 60947-5-1

UL508

Certificates

cULus