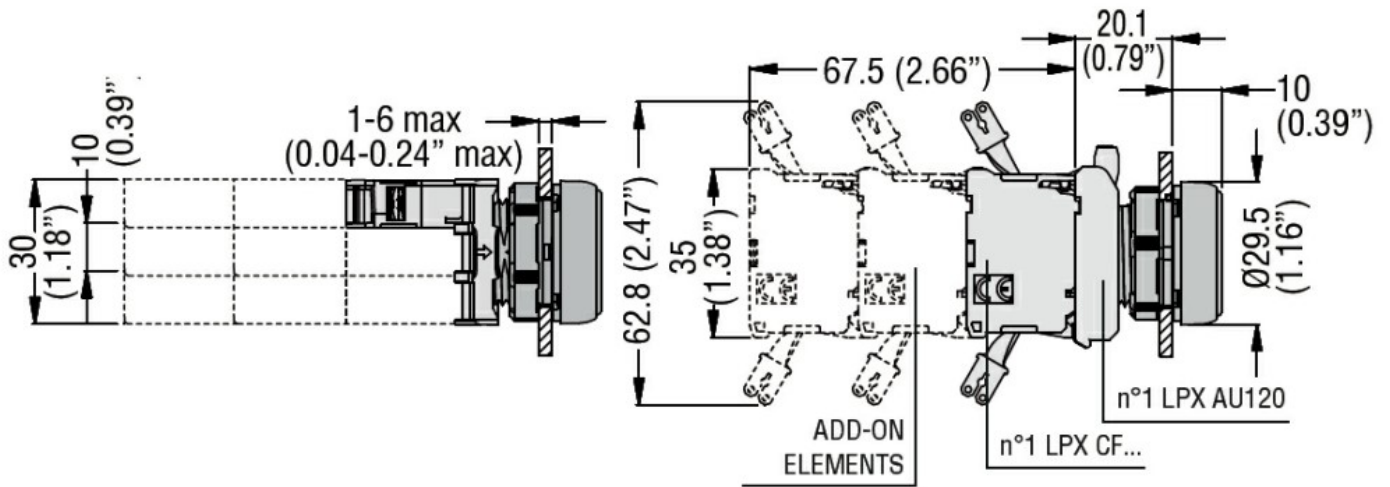




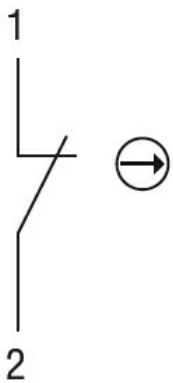
Electrical characteristics			
Rated insulation voltage U_i IEC/EN	V		690
IEC Conventional free air thermal current $I_{th} \leq 40^\circ\text{C}$	A		10
Conductivity			1mA 5V
UL/CSA and IEC/EN 60947-5-1 designation			A600 Q600
Operating current AC15			
	12V	A	6
	24V	A	6
	48V	A	6
	120V	A	6
	240V	A	6
	400V	A	3
	480V	A	1.5
	500V	A	1.4
	600V	A	1.2
Operating current DC13			
	12V	A	3
	24V	A	3
	48V	A	1.5
	125V	A	0.55
	250V	A	0.27
	440V	A	0.15
	500V	A	0.13
	600V	A	0.1
Contact resistance	mΩ		≤20
Operations			
Electrical life	cycles		1000000
Mechanical features			
Operating force	kg-lb		≤0.5Kg/1.1lb
Tightening torque for terminals max	Nm		1
Terminals screw			Faston
Conductor section			
	AWG/kcmil conductor section		
		max	14
	IEC		
		max	mm ² 1 or 2 / 2.5
Mounting adapter			LPXAU120
Weight	g		12
Ambient conditions			
Temperature			
	Operating temperature		
		min	°C -25
		max	°C +70
	Storage temperature		
		min	°C -40

max °C +85

Dimensions



Wiring diagrams



Certifications and compliance

Compliance

CSA C22.2 n° 14
IEC/EN/BS 60947-1
IEC/EN/BS 60947-5-1
UL508

Certificates

CCC
cULus
EAC
RINA
UL

ETIM classification

ETIM 8.0

EC000041 -
Auxiliary contact
block