



Contact elements
- without
mounting adapter
LPXC

Product designation

Product type designation

Electrical characteristics

Rated insulation voltage U_i IEC/EN	V	690
---------------------------------------	---	-----

IEC Conventional free air thermal current I_{th}	A	10
--	---	----

Conductivity		1mA 5V
--------------	--	--------

UL/CSA and IEC/EN 60947-5-1 designation		A600 Q600
---	--	-----------

Operating current AC15	12V	A	6
	24V	A	6
	48V	A	6
	120V	A	6
	240V	A	6
	400V	A	3
	480V	A	1.5
	500V	A	1.4
	600V	A	1.2

Operating current DC13	12V	A	3
	24V	A	3
	48V	A	1.5
	125V	A	0.55
	250V	A	0.27
	440V	A	0.15
	500V	A	0.13
	600V	A	0.1

Contact resistance	mΩ	≤20
--------------------	----	-----

Operations

Electrical life	cycles	1000000
-----------------	--------	---------

Mechanical features

Operating force	kg-lb	≤0.5Kg/1.1lb
-----------------	-------	--------------

Tightening torque for terminals max	Nm	1
-------------------------------------	----	---

Terminals screw		Screw
-----------------	--	-------

Conductor section	AWG/kcmil conductor section		
		max	14
IEC			
		max	mm ² 1 or 2 / 2.5

Mounting adapter		LPXAU120; LPXAU120M
------------------	--	------------------------

Weight	g	22
--------	---	----

Ambient conditions

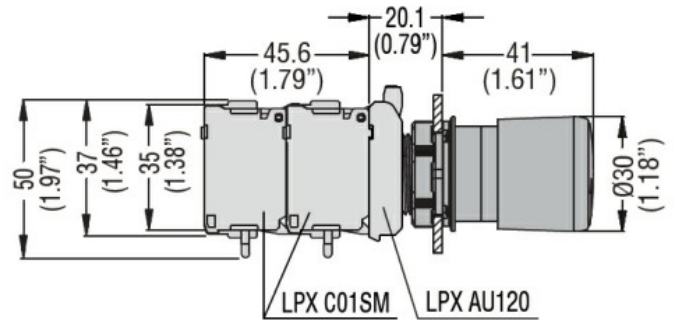
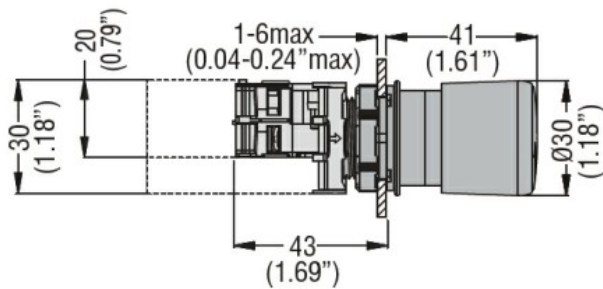
Temperature	Operating temperature	
-------------	-----------------------	--

min	°C	-25
max	°C	+70

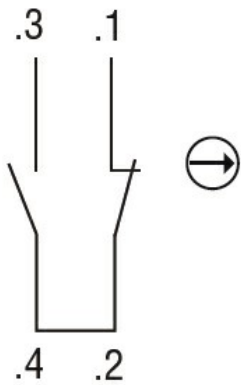
Storage temperature

min	°C	-40
max	°C	+85

Dimensions



Wiring diagrams



Certifications and compliance

Compliance

- CSA C22.2 n° 14
- IEC/EN/BS 60947-1
- IEC/EN/BS 60947-5-1
- UL508

Certificates

- CCC
- cULus
- EAC
- RINA
- UL

ETIM classification

ETIM 8.0

EC000041 -
Auxiliary contact
block