

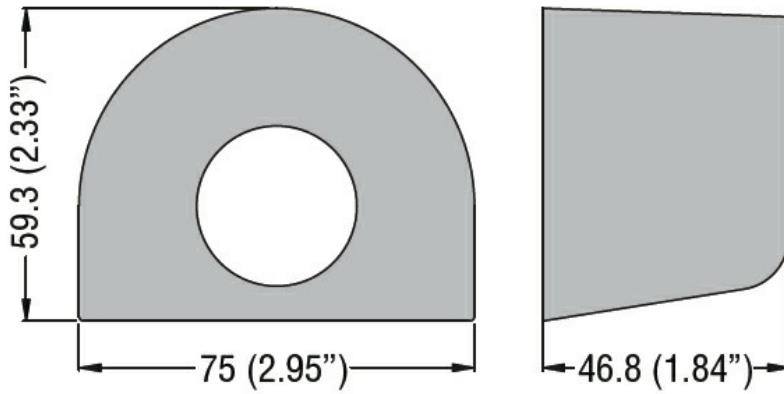


Mechanical features

Weight

g 10

Dimensions



Certifications and compliance

Compliance

/

Certificates

cULus

ETIM classification

ETIM 8.0

EC002498 -
Accessories/spare
parts for low-
voltage switch
technology