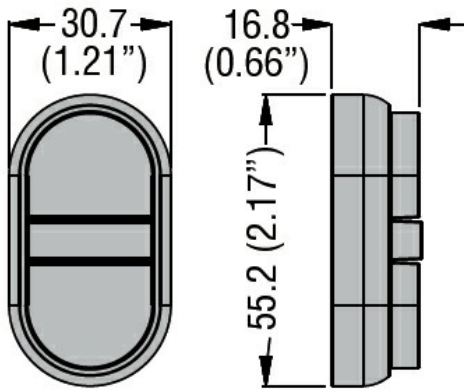




**Mechanical features**

Weight g 7

**Dimensions**



**Certifications and compliance**

Compliance /

Certificates /

**ETIM classification**

ETIM 8.0

EC002040 -  
 Protective cap for  
 command  
 devices