



### General characteristics

Colour	Green
Type of positions	Mechanical reset flush pushbutton
Material	Polyamide
IEC degree of protection	IP66, IP67 and IP69K

### Mechanical features

Operating force	kg-lb	<0.5Kg / 1.1lb
Mechanical life	cycles	5000000
Fixing		Without mounting adapter
Mounting adapter		LPXAU120
Weight	g	28

### UL technical data

UL degree of protection	Type1, 2, 3R, 4, 4X, 12, 12K
-------------------------	------------------------------

### Ambient conditions

#### Temperature

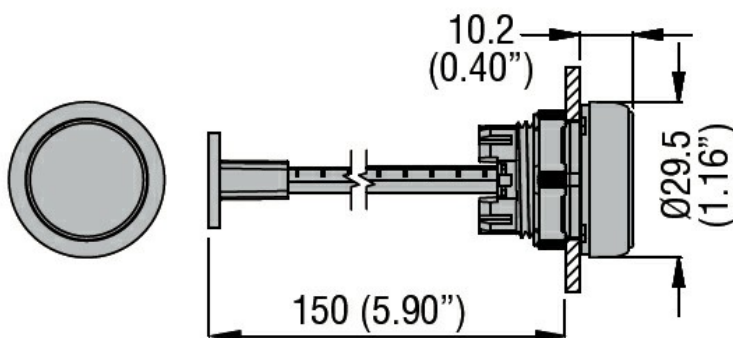
#### Operating temperature

min	°C	-25
max	°C	+70

#### Storage temperature

min	°C	-40
max	°C	+85

### Dimensions



### Certifications and compliance

#### Compliance

CSA C22.2 n° 14  
IEC/EN/BS 60947-1  
IEC/EN/BS 60947-5-1  
UL508

#### Certificates

CCC

MECHANICAL RESET BUTTON, COMPLETE UNIT, SPRING RETURN Ø22MM PLATINUM  
SERIES CHROMED PLASTIC, FLUSH. ADJUSTABLE LENGTH 0...150MM/5.9IN, GREEN

---

cULus

---

EAC

---

RINA

ETIM classification

ETIM 8.0

EC000221 -  
Front element for  
push button