



General characteristics

Colour	Green/Red
Type of positions	Double-touch with one extended and one flush pushbuttons
Material	Polyamide
IEC degree of protection	IP66, IP67 and IP69K

Mechanical features

Operating force	kg-lb	<0.5Kg / 1.1lb
Mechanical life	cycles	1000000
Mounting adapter		LPXAU120
Weight	g	30

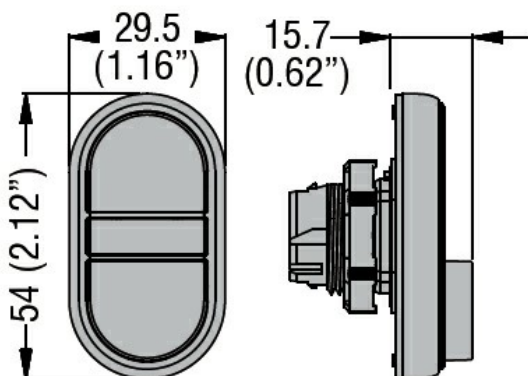
UL technical data

UL degree of protection	Type1, 2, 3R, 4, 4X, 12, 12K
-------------------------	------------------------------

Ambient conditions

Temperature	Operating temperature	min	°C	-25
		max	°C	+70
	Storage temperature	min	°C	-40
		max	°C	+85

Dimensions



Certifications and compliance

Compliance	CSA C22.2 n° 14
	IEC/EN/BS 60947-1
	IEC/EN/BS 60947-5-1
	UL508

Certificates

DOUBLE-TOUCH ACTUATOR, SPRING RETURN Ø22MM PLATINUM SERIES CHROMED PLASTIC, 1 EXTENDED AND 1 FLUSH PUSHBUTTONS. BOTH SPRING RETURN, GREEN - RED/START - STOP

CCC

cULus

EAC

RINA

ETIM classification

ETIM 8.0

EC000221 -
Front element for
push button