



General characteristics

| | |
|--------------------------|--------------------------|
| Colour | Black |
| Type of positions | Mushroom head pushbutton |
| Material | Polyamide |
| IEC degree of protection | IP66, IP67 and IP69K |

Mechanical features

| | | |
|-----------------------------------|--------|----------------|
| Operating force | kg-lb | <0.5Kg / 1.1lb |
| Mechanical life - Latch actuators | cycles | 300000 |
| Mounting adapter | | LPXAU120 |
| Weight | g | 83 |

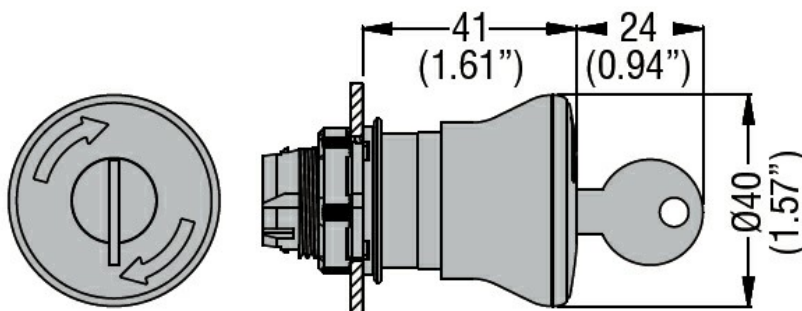
UL technical data

| | |
|-------------------------|------------------------------|
| UL degree of protection | Type1, 2, 3R, 4, 4X, 12, 12K |
|-------------------------|------------------------------|

Ambient conditions

| | | | | |
|-------------|-----------------------|-----|----|-----|
| Temperature | Operating temperature | min | °C | -25 |
| | | max | °C | +70 |
| | Storage temperature | min | °C | -40 |
| | | max | °C | +85 |

Dimensions



Certifications and compliance

| | |
|------------|---------------------|
| Compliance | CSA C22.2 n° 14 |
| | IEC/EN/BS 60947-1 |
| | IEC/EN/BS 60947-5-1 |
| | UL508 |

| | |
|--------------|-------|
| Certificates | CCC |
| | cULus |
| | EAC |
| | RINA |
| | UL |

ETIM classification

ETIM 8.0

EC001038 -
Front element for
mushroom push-
button