



**General characteristics**

|                          |                          |
|--------------------------|--------------------------|
| Colour                   | Black                    |
| Type of positions        | Mushroom head pushbutton |
| Material                 | Polyamide                |
| IEC degree of protection | IP66, IP67 and IP69K     |

**Mechanical features**

|                                   |        |                |
|-----------------------------------|--------|----------------|
| Operating force                   | kg-lb  | <0.5Kg / 1.1lb |
| Mechanical life - Latch actuators | cycles | 300000         |
| Mounting adapter                  |        | LPXAU120       |
| Weight                            | g      | 83             |

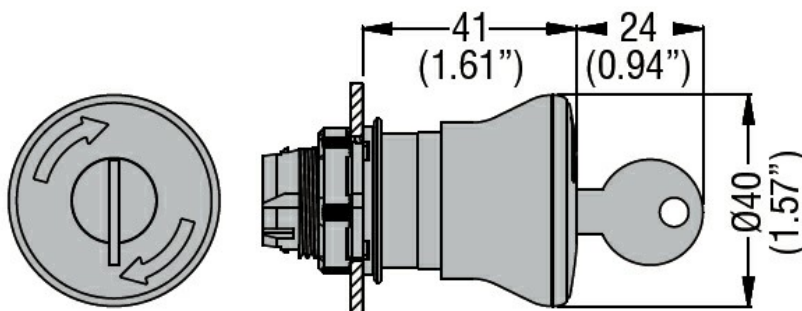
**UL technical data**

|                         |                              |
|-------------------------|------------------------------|
| UL degree of protection | Type1, 2, 3R, 4, 4X, 12, 12K |
|-------------------------|------------------------------|

**Ambient conditions**

|             |                       |     |    |     |
|-------------|-----------------------|-----|----|-----|
| Temperature | Operating temperature | min | °C | -25 |
|             |                       | max | °C | +70 |
|             | Storage temperature   | min | °C | -40 |
|             |                       | max | °C | +85 |

**Dimensions**



**Certifications and compliance**

|            |                     |
|------------|---------------------|
| Compliance | CSA C22.2 n° 14     |
|            | IEC/EN/BS 60947-1   |
|            | IEC/EN/BS 60947-5-1 |
|            | UL508               |

|              |       |
|--------------|-------|
| Certificates | CCC   |
|              | cULus |
|              | EAC   |
|              | RINA  |
|              | UL    |

ETIM classification

ETIM 8.0

EC001038 -  
Front element for  
mushroom push-  
button