



**General characteristics**

|                          |                      |
|--------------------------|----------------------|
| Colour                   | Red                  |
| Type of positions        | Extended pushbutton  |
| Material                 | Polyamide            |
| IEC degree of protection | IP66, IP67 and IP69K |

**Mechanical features**

|                  |        |                          |
|------------------|--------|--------------------------|
| Operating force  | kg-lb  | <0.5Kg / 1.1lb           |
| Mechanical life  | cycles | 5000000                  |
| Fixing           |        | Without mounting adapter |
| Mounting adapter |        | LPXAU120                 |
| Weight           | g      | 27                       |

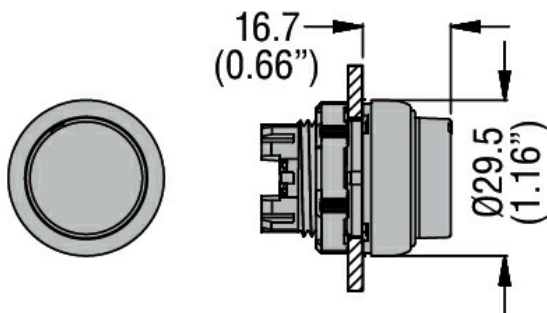
**UL technical data**

|                         |                              |
|-------------------------|------------------------------|
| UL degree of protection | Type1, 2, 3R, 4, 4X, 12, 12K |
|-------------------------|------------------------------|

**Ambient conditions**

|             |                       |     |    |     |
|-------------|-----------------------|-----|----|-----|
| Temperature | Operating temperature | min | °C | -25 |
|             |                       | max | °C | +70 |
|             | Storage temperature   | min | °C | -40 |
|             |                       | max | °C | +85 |

**Dimensions**



**Certifications and compliance**

|              |                     |
|--------------|---------------------|
| Compliance   | CSA C22.2 n° 14     |
|              | IEC/EN/BS 60947-1   |
|              | IEC/EN/BS 60947-5-1 |
|              | UL508               |
| Certificates | CCC                 |
|              | cULus               |

---

EAC

---

RINA

ETIM classification

ETIM 8.0

EC000221 -  
Front element for  
push button