



General characteristics

| | |
|--------------------------|-------------|
| Colour | Grey |
| Contact configuration | 1NC+1NO |
| LED pin number | 7-8 and 5-6 |
| IEC degree of protection | IP65 |

Electrical characteristics

| | | |
|---------------------------|-----|---------------|
| Rated operating voltage | VAC | 5...35 VAC/DC |
| Rated operating current | mA | 1...100 |
| Maximum power consumption | mW | 250 |

Operations

| | | |
|-----------------|--------|-----------|
| Electrical life | cycles | 1.000.000 |
| B10d | cycles | 1.300.000 |

Mechanical features

| | | |
|------------|------------------------|-----|
| Connection | 8-pin M12 connector | |
| Fixing | For 40mm profile rails | |
| Weight | g | 105 |

UL technical data

| | |
|-------------------------|--------|
| UL degree of protection | Type 1 |
|-------------------------|--------|

Ambient conditions

Temperature

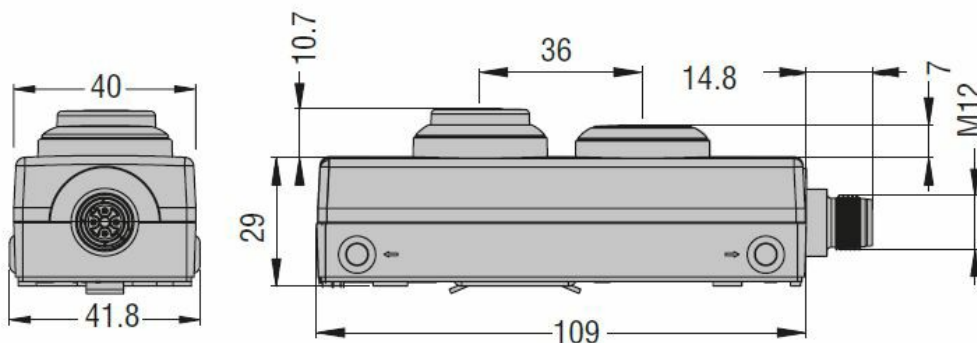
Operating temperature

| | | |
|-----|----|-----|
| min | °C | -25 |
| max | °C | +70 |

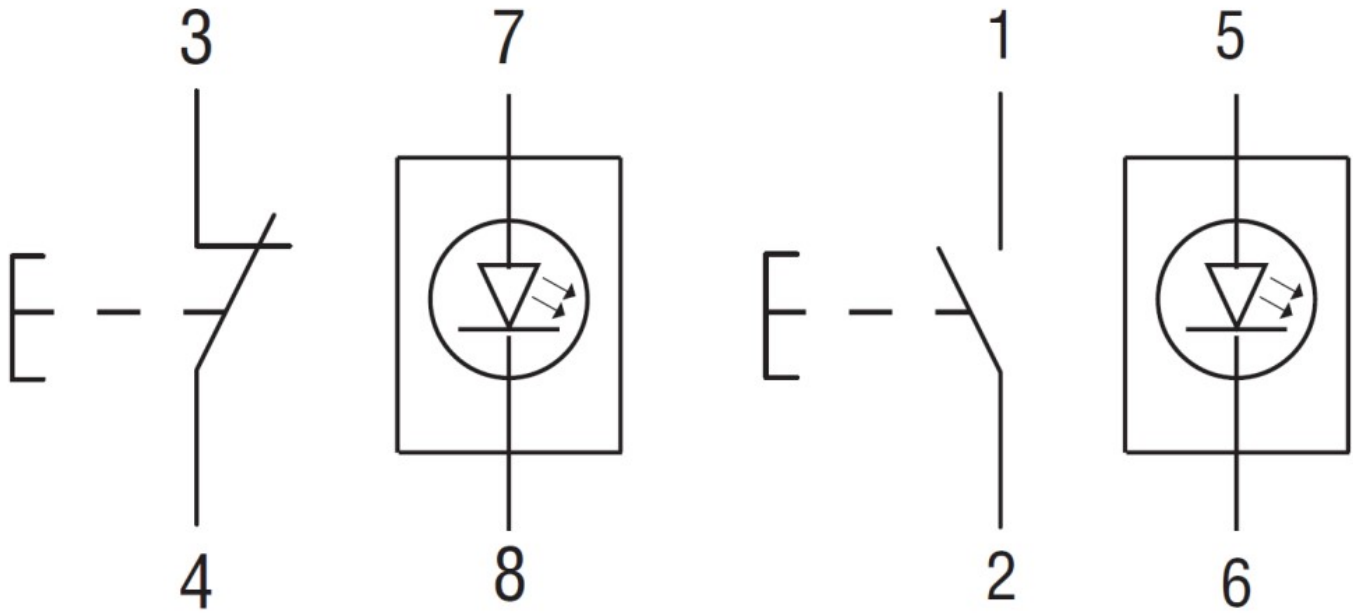
Storage temperature

| | | |
|-----|----|-----|
| min | °C | -40 |
| max | °C | +80 |

Dimensions



Wiring diagrams



Certifications and compliance

Compliance

CSA C22.2 No. 60947-1-13

CSA C22.2 No. 60947-5-1-14

IEC/EN/BS 60947-5-1

UL 60947-1

UL 60947-5-1

UL508A

Certificates

cURus