



General characteristics

Colour	Grey
Contact configuration	1NC+1NO
IEC degree of protection	IP65

Electrical characteristics

Rated operating voltage	VAC	5...35 VAC/DC
Rated operating current	mA	1...100
Maximum power consumption	mW	250

Operations

Electrical life	cycles	1.000.000
B10d	cycles	1.300.000

Mechanical features

Connection	4-pin M12 connector
Fixing	For 40mm profile rails
Weight	g 105

UL technical data

UL degree of protection	Type 1
-------------------------	--------

Ambient conditions

Temperature

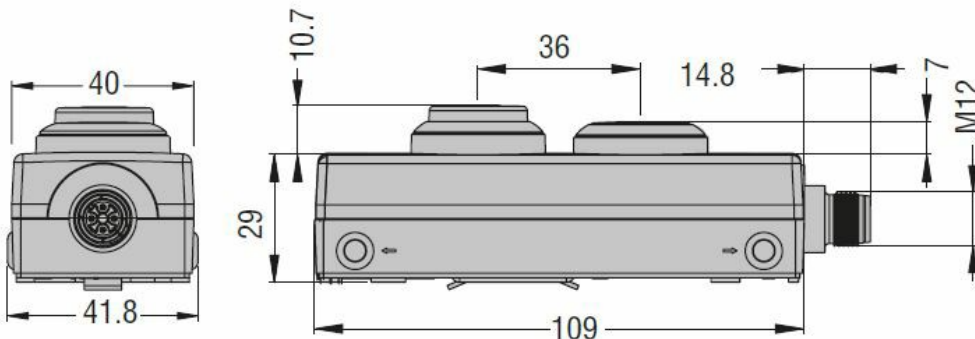
Operating temperature

min	°C	-25
max	°C	+70

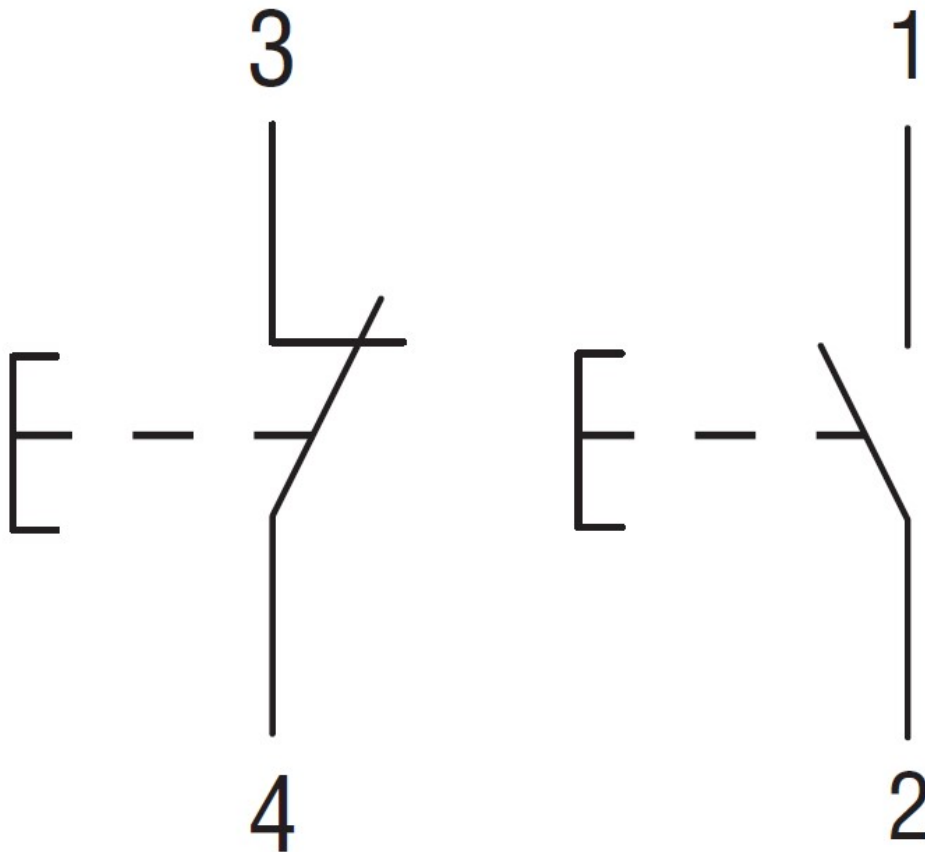
Storage temperature

min	°C	-40
max	°C	+80

Dimensions



Wiring diagrams



Certifications and compliance

Compliance

CSA C22.2 No. 60947-1-13

CSA C22.2 No. 60947-5-1-14

IEC/EN/BS 60947-5-1

UL 60947-1

UL 60947-5-1

UL508A

Certificates

cURus