



General characteristics

Material

Housing Polymer thermoplastic

Contact characteristics

Type of contact			1NO/NC
Thermal current I _{th}	A		15
IEC/EN 60947-5-1 designation			A600 P300
Rated insulation voltage U _i	V		250
Switching speed	min	m/s	0.01
	max	m/s	1

Operating speed

min m/s 0.05
max m/s 1

IEC Conventional free air thermal current I_{th} ≤ 40°C

A 15

Resistance per pole (average value)

mΩ <15

Conductivity

10mA 5V

Mechanical features

Terminals type

Screw

Operating head fixing

Fixed

Operating torque

N 1.7
ozin 6.1

Weight

g 38

Operations

Mechanical life

cycles 20000000

Electrical life

cycles 500000

Mechanical operation

cycles/h 240

Ambient conditions

Temperature

Operating temperature

min °C -25
max °C +70

Storage temperature

min °C -40
max °C +70

Resistance & Protection

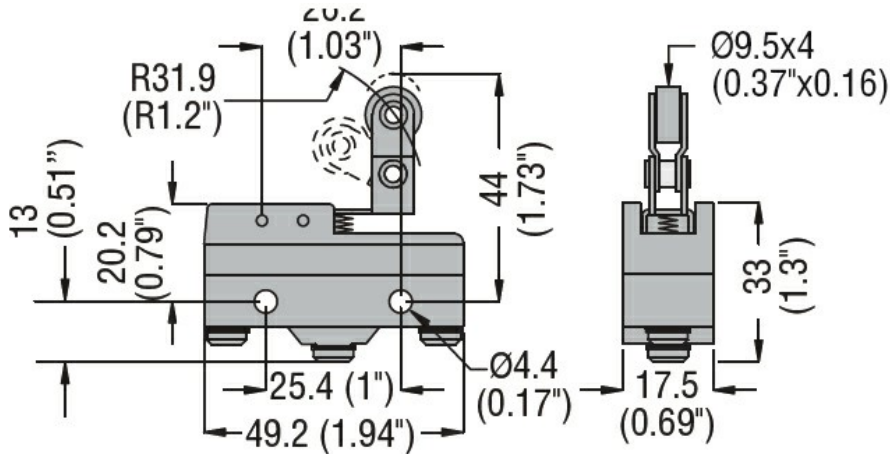
IP degree

Body housing IP00 or IP20 with terminal shroud

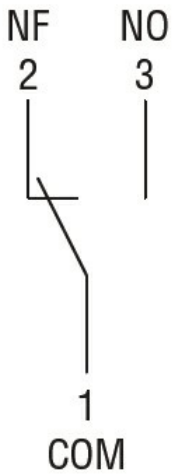
Pollution degree

3

Dimensions



Wiring diagrams



Certifications and compliance

Compliance

CSA C22.2 n° 14.

IEC/EN 60947-1

IEC/EN 60947-5-1

IEC/EN 61058-1

UL508

Certificates

cURus

EAC

ETIM classification

ETIM 8.0

EC000030 - End
switch