



General characteristics

Material

Housing	Aluminium-zinc alloy
---------	----------------------

Contact characteristics

Type of contact		1NO+1NC Snap action
Thermal current I _{th}	A	10
IEC/EN 60947-5-1 designation		A300 Q300
Rated insulation voltage U _i	V	440
Rated impulse withstand voltage U _{imp}	kV	4
Short-circuit protection with fuse	Class/A	10 gG fuse
IEC Conventional free air thermal current I _{th} ≤ 40°C	A	10
Resistance per pole (average value)	mΩ	<10

Mechanical features

Tightening torque (Max)

Contact terminals

Nm	1
lbin	0.74lbft

Cable connection

Self-releasing screw terminal

Cable entry

1 x M20

Operations

Mechanical life	cycles	>10000000
-----------------	--------	-----------

Ambient conditions

Temperature

Operating temperature

min	°C	-25
max	°C	+70

Storage temperature

min	°C	-40
max	°C	+70

Resistance & Protection

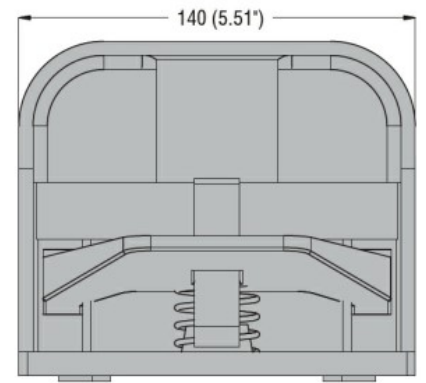
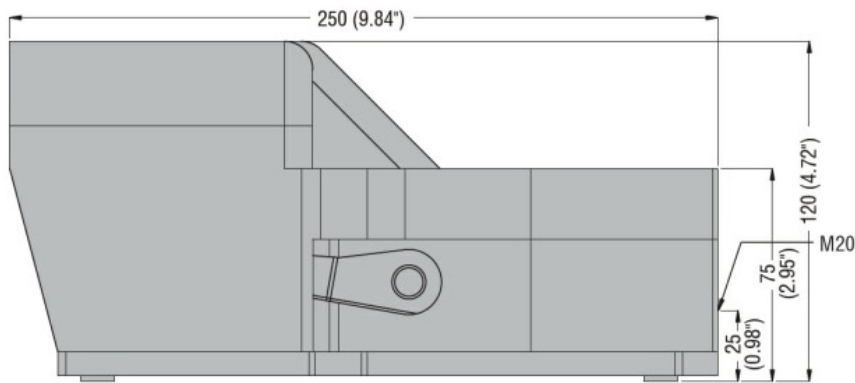
IP degree

Terminals	IP20
Body housing	IP54

Pollution degree

3

Dimensions



Certifications and compliance

Compliance

EN 60447.

IEC/EN 60204-1

IEC/EN 60947-1

IEC/EN 60947-5-1

Certificates

EAC

ETIM classification

ETIM 8.0

EC001258 - Foot switch