



General characteristics

Material

| | |
|---------|----------------------|
| Housing | Aluminium-zinc alloy |
|---------|----------------------|

Contact characteristics

| | | |
|--|---------|---------------------|
| Type of contact | | 1NO+1NC Slow action |
| Thermal current I _{th} | A | 10 |
| IEC/EN 60947-5-1 designation | | A300 Q300 |
| Rated insulation voltage U _i | V | 440 |
| Rated impulse withstand voltage U _{imp} | kV | 4 |
| Short-circuit protection with fuse | Class/A | 10 gG fuse |
| IEC Conventional free air thermal current I _{th} ≤ 40°C | A | 10 |
| Resistance per pole (average value) | mΩ | <10 |

Mechanical features

Tightening torque (Max)

Contact terminals

| | |
|------|----------|
| Nm | 1 |
| lbin | 0.74lbft |

Cable connection

Self-releasing screw terminal

Cable entry

1 x M20

Operations

| | | |
|-----------------|--------|-----------|
| Mechanical life | cycles | >10000000 |
|-----------------|--------|-----------|

Ambient conditions

Temperature

Operating temperature

| | | |
|-----|----|-----|
| min | °C | -25 |
| max | °C | +70 |

Storage temperature

| | | |
|-----|----|-----|
| min | °C | -40 |
| max | °C | +70 |

Resistance & Protection

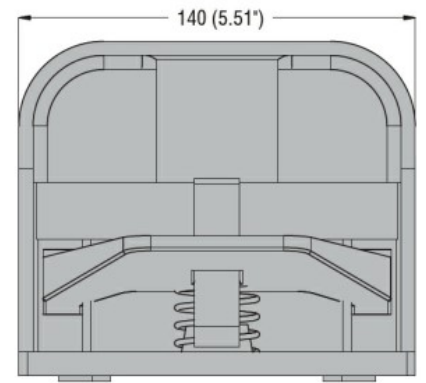
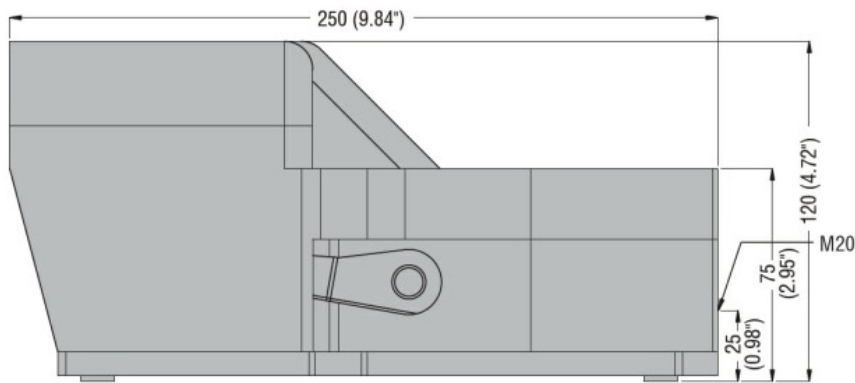
IP degree

| | |
|--------------|------|
| Terminals | IP20 |
| Body housing | IP54 |

Pollution degree

3

Dimensions



Certifications and compliance

Compliance

EN 60447.

IEC/EN 60204-1

IEC/EN 60947-1

IEC/EN 60947-5-1

Certificates

EAC

ETIM classification

ETIM 8.0

EC001258 - Foot
switch