



### General characteristics

#### Material

|         |                      |
|---------|----------------------|
| Housing | Aluminium-zinc alloy |
| Roller  | Plastic              |

### Contact characteristics

|  |    |                     |
|--|----|---------------------|
| Type of contact  |    | 1NO+1NC Slow action |
| Thermal current I <sub>th</sub>                                  | A  | 10                  |
| IEC/EN 60947-5-1 designation                                     |    | B300 R300           |
| Rated insulation voltage U <sub>i</sub>                          | V  | 400                 |
| Rated impulse withstand voltage U <sub>imp</sub>                 | kV | 4                   |
| Insulation class   |    | I                   |
| IEC Conventional free air thermal current I <sub>th</sub> ≤ 40°C | A  | 10                  |
| Resistance per pole (average value)                              | mΩ | <25                 |
| Conductivity   |    | 10mA 5V             |

### Mechanical features

|                         |      |   |
|-------------------------|------|---|
| Operating head fixing   |      | Fixed   |
| Operating torque        | N    | 80  |
|                         | lb   | 0.7   |
| Tightening torque (Max) |      |   |
| Switch fixing           | Nm   | 2.5   |
|                         | lbin | 22.1  |
| Cable connection        |      | 2m / 5xAWG18-0.75mm <sup>2</sup> PVC Style 2517 |
| Weight                  | g    | 344   |

### Operations

|                      |          |           |
|----------------------|----------|-----------|
| Mechanical life      | cycles   | >10000000 |
| Mechanical operation | cycles/h | 3600      |

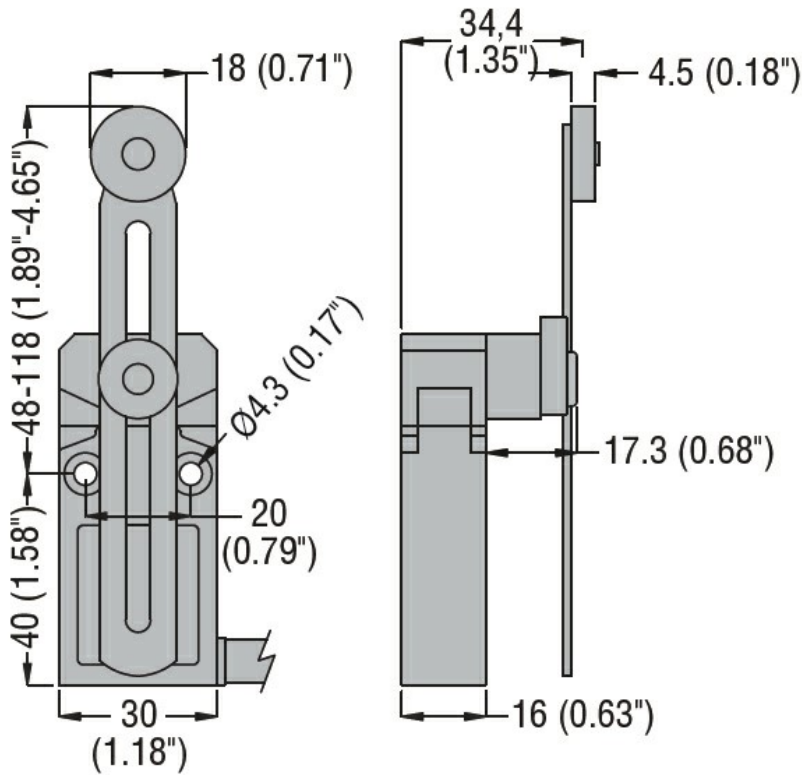
### Ambient conditions

|                       |     |    |     |
|-----------------------|-----|----|-----|
| Temperature           |     |    |     |
| Operating temperature | min | °C | -25 |
|                       | max | °C | +70 |
| Storage temperature   | min | °C | -40 |
|                       | max | °C | +70 |

### Resistance & Protection

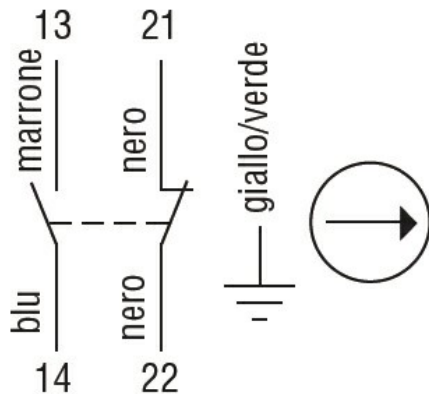
|                  |              |      |
|------------------|--------------|------|
| IP degree        | Body housing | IP67 |
| Pollution degree |              | 3    |

### Dimensions



### Wiring diagrams

## Slow action



## 1NO + 1NC

### Certifications and compliance

#### Compliance

CSA C22.2 n° 14.

IEC/EN 60947-1

IEC/EN 60947-5-1

UL508

#### Certificates

cULus

EAC

### ETIM classification

ETIM 8.0

EC000030 - End  
switch