



General characteristics

Material

| | |
|---------|----------------------|
| Housing | Aluminium-zinc alloy |
| Roller | Metal |

Contact characteristics

| | | |
|--|----|---------------------|
| Type of contact | | 1NO+1NC Snap action |
| Thermal current I _{th} | A | 10 |
| IEC/EN 60947-5-1 designation | | B300 R300 |
| Rated insulation voltage U _i | V | 400 |
| Rated impulse withstand voltage U _{imp} | kV | 4 |
| Insulation class | | I |
| IEC Conventional free air thermal current I _{th} ≤ 40°C | A | 10 |
| Resistance per pole (average value) | mΩ | <25 |
| Conductivity | | 10mA 5V |

Mechanical features

| | | |
|-------------------------|------|---|
| Operating head fixing | | Fixed |
| Operating torque | N | 10 |
| | lb | 2.2 |
| Tightening torque (Max) | | |
| Switch fixing | Nm | 2.5 |
| | lbin | 22.1 |
| Cable connection | | 2m / 5xAWG18-0.75mm ² PVC Style 2517 |
| Weight | g | 310 |

Operations

| | | |
|----------------------|----------|-----------|
| Mechanical life | cycles | >10000000 |
| Mechanical operation | cycles/h | 3600 |

Ambient conditions

Temperature

Operating temperature

| | | |
|-----|----|-----|
| min | °C | -25 |
| max | °C | +70 |

Storage temperature

| | | |
|-----|----|-----|
| min | °C | -40 |
| max | °C | +70 |

Resistance & Protection

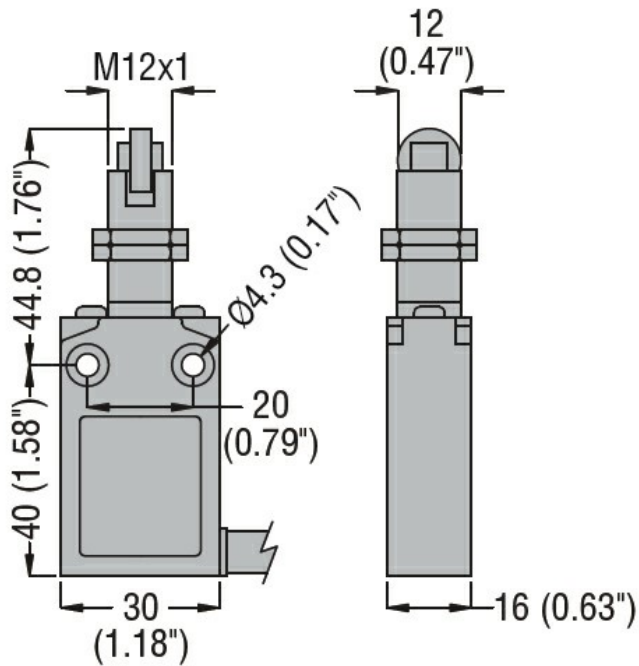
IP degree

| | |
|--------------|------|
| Body housing | IP67 |
|--------------|------|

Pollution degree

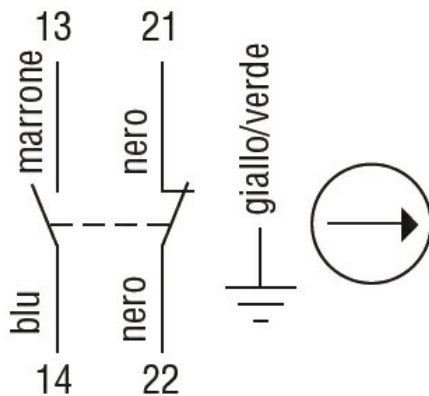
3

Dimensions



Wiring diagrams

Snap action



1NO + 1NC

Certifications and compliance

Compliance

CSA C22.2 n° 14.

IEC/EN 60947-1

IEC/EN 60947-5-1

UL508

Certificates

cULus

EAC

ETIM classification

ETIM 8.0

EC000030 - End
switch