



### General characteristics

#### Material

Housing	Aluminium-zinc alloy
Rod	Steel

### Contact characteristics

Type of contact		2NO Slow action
Thermal current I <sub>th</sub>	A	10
IEC/EN 60947-5-1 designation		A300 Q300
Rated insulation voltage U <sub>i</sub>	V	440
Rated impulse withstand voltage U <sub>imp</sub>	kV	4
Short-circuit protection with fuse	Class/A	10 gG/SC QUICK FUSE
Switching speed	min	m/s 0.5
	max	m/s 1.5
IEC Conventional free air thermal current I <sub>th</sub> ≤ 40°C	A	10
Resistance per pole (average value)	mΩ	<10

### Mechanical features

Operating head fixing		Locking bayonet insert	
Operating torque	Ncm	3	
	ozin	4.25	
Tightening torque (Max)	Switch fixing	Nm	2.5
		lbin	22.1
Contact terminals	Nm	0.8	
	lbin	7	
Body lid screw fixing	Nm	0.8	
	lbin	7	
Conductor section	AWG/Kcmil	min	16
		max	14
IEC		min	mm <sup>2</sup> 1.5
		max	mm <sup>2</sup> 2.5
Cable connection		Self-releasing screw terminal	
Cable entry		M20 on the sides	

### Operations

Mechanical life	cycles	<10000000
-----------------	--------	-----------

Mechanical operation cycles/h 3600

**Ambient conditions**

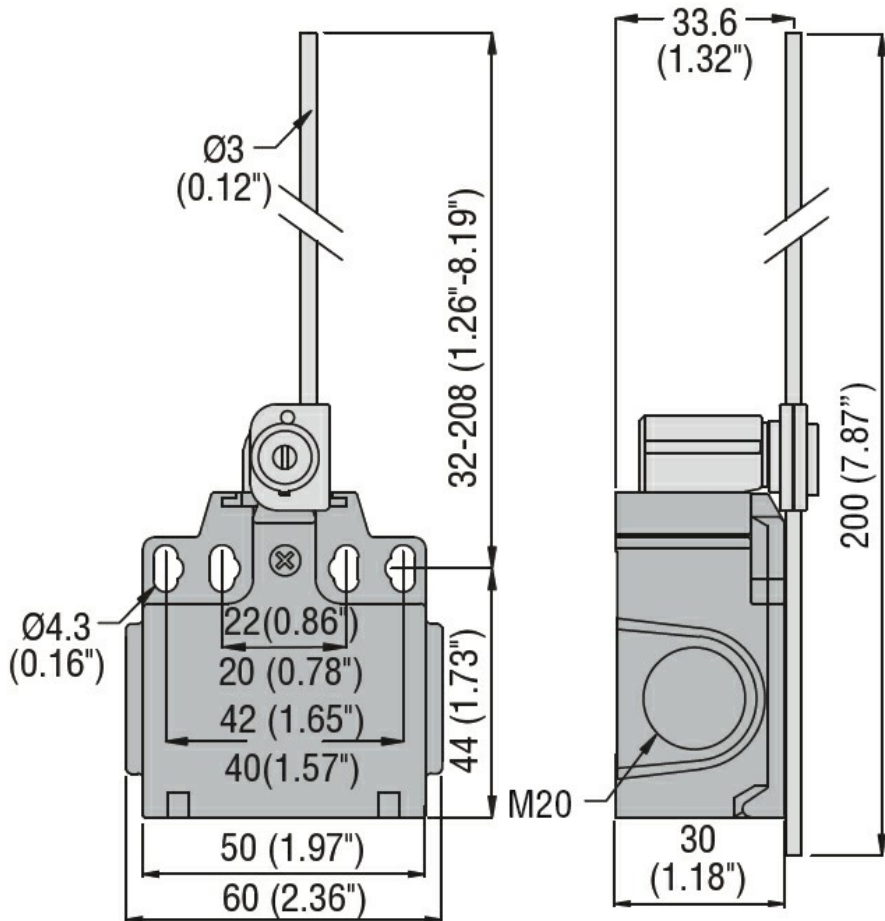
Temperature			
Operating temperature			
min	°C	-25	
max	°C	+70	
Storage temperature			
min	°C	-40	
max	°C	+70	

**Resistance & Protection**

IP degree			
	Terminals	IP20	
	Body housing	IP65	

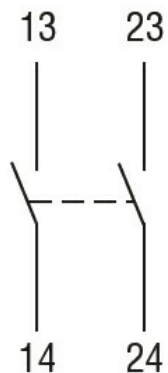
Pollution degree 3

**Dimensions**



**Wiring diagrams**

## Slow action



**2NO**

### Certifications and compliance

#### Compliance

CSA C22.2 n° 14

EN 50047

IEC/EN 60204-1

IEC/EN 60947-1

IEC/EN 60947-5-1

UL508

#### Certificates

CCC

cULus

EAC

### ETIM classification

ETIM 8.0

EC000030 - End  
switch