



**General characteristics**

Material	Housing	Aluminium-zinc alloy	
	Roller	Plastic	

**Contact characteristics**

Type of contact		2NO Snap action	
Thermal current I <sub>th</sub>	A	10	
IEC/EN 60947-5-1 designation		A300 Q300	
Rated insulation voltage U <sub>i</sub>	V	440	
Rated impulse withstand voltage U <sub>imp</sub>	kV	4	
Short-circuit protection with fuse	Class/A	10 gG/SC QUICK FUSE	
Switching speed	min	m/s	0.5
	max	m/s	1.5
IEC Conventional free air thermal current I <sub>th</sub> ≤ 40°C	A	10	
Resistance per pole (average value)	mΩ	<10	

**Mechanical features**

Operating head fixing		Locking bayonet insert	
Operating torque	N	6	
	lb	1.34	
Tightening torque (Max)	Switch fixing	Nm	2.5
		lbin	22.1
Contact terminals		Nm	0.8
		lbin	7
Body lid screw fixing		Nm	0.8
		lbin	7

Conductor section	AWG/Kcmil	min	16	
		max	14	
IEC		min	mm <sup>2</sup>	1.5
		max	mm <sup>2</sup>	2.5

Cable connection	Self-releasing screw terminal		
Cable entry	M20 on the sides		

**Operations**

Mechanical life	cycles	<10000000	
-----------------	--------	-----------	--

Mechanical operation cycles/h 3600

**Ambient conditions**

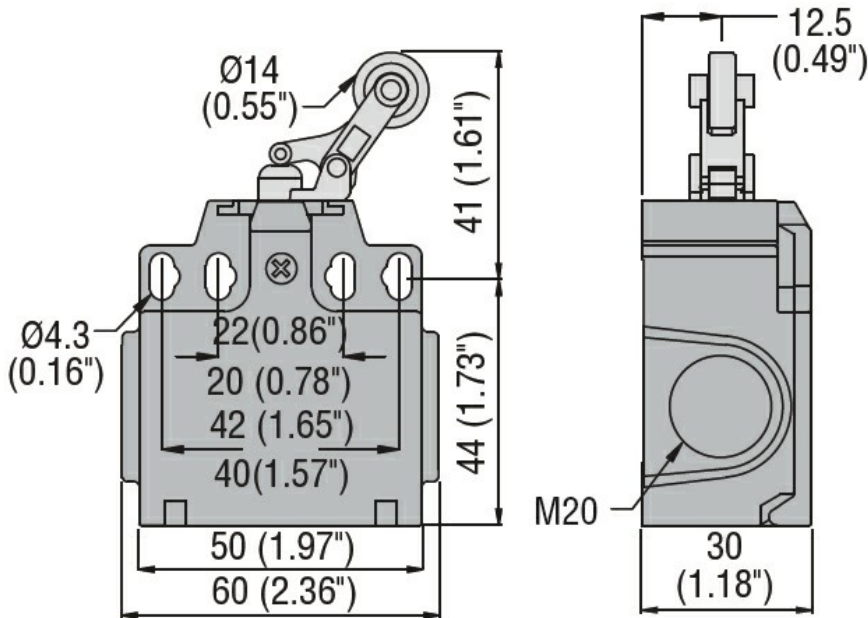
Temperature	Operating temperature	min	°C	-25
		max	°C	+70
	Storage temperature	min	°C	-40
		max	°C	+70

**Resistance & Protection**

IP degree	Terminals	IP20
	Body housing	IP65

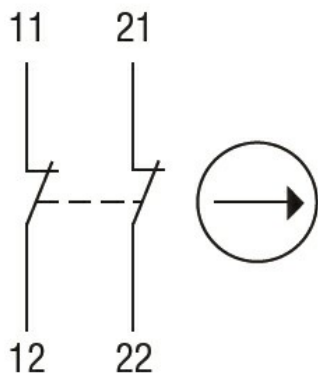
Pollution degree 3

**Dimensions**



**Wiring diagrams**

**Snap action**



**2NC**

**Certifications and compliance**

Compliance

CSA C22.2 n° 14

EN 50047

IEC/EN 60204-1

IEC/EN 60947-1

IEC/EN 60947-5-1

UL508

Certificates

CCC

cULus

EAC

ETIM classification

ETIM 8.0

EC000030 - End switch