



**General characteristics**

**General characteristics**

|                  |                      |
|------------------|----------------------|
| Housing Material | Aluminium-zinc alloy |
|------------------|----------------------|

**Contact characteristics**

|                                      |                             |
|--------------------------------------|-----------------------------|
| Type of contact                      | 2NC Slow action             |
| Thermal current Ith                  | A 10                        |
| IEC/EN 60947-5-1 designation         | A300 Q300                   |
| Rated insulation voltage Ui          | V 440                       |
| Rated impulse withstand voltage Uimp | kV 4                        |
| Short-circuit protection with fuse   | Class/A 10 gG/SC QUICK FUSE |

|                 |     |     |     |
|-----------------|-----|-----|-----|
| Switching speed | min | m/s | 0.5 |
|                 | max | m/s | 1.5 |

|  |   |    |
|--|---|----|
| IEC Conventional free air thermal current Ith ≤ 40°C | A | 10 |
|--|---|----|

|                                     |    |     |
|-------------------------------------|----|-----|
| Resistance per pole (average value) | mΩ | <10 |
|-------------------------------------|----|-----|

**Operations**

|                      |          |        |
|----------------------|----------|--------|
| Mechanical life      | cycles   | 100000 |
| B10d                 | cycles   | 100000 |
| Mechanical operation | cycles/h | 3600   |

**Output characteristics**

|                 |        |        |
|-----------------|--------|--------|
| Mechanical life | cycles | 100000 |
|-----------------|--------|--------|

**Mechanical features**

|                       |                        |
|-----------------------|------------------------|
| Operating head fixing | Locking bayonet insert |
|-----------------------|------------------------|

|                  |      |      |
|------------------|------|------|
| Operating torque | Ncm  | 15   |
|                  | ozin | 21.2 |

|                         |               |      |      |
|-------------------------|---------------|------|------|
| Tightening torque (Max) | Switch fixing | Nm   | 2.5  |
|                         |               | lbin | 22.1 |

|                   |      |     |
|-------------------|------|-----|
| Contact terminals | Nm   | 0.8 |
|                   | lbin | 7   |

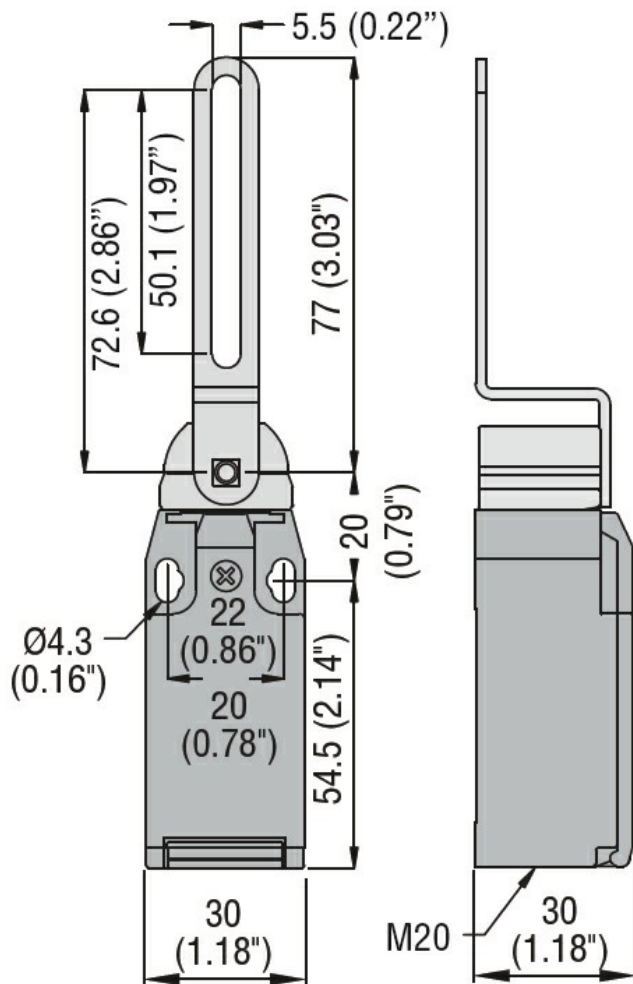
|                       |      |     |
|-----------------------|------|-----|
| Body lid screw fixing | Nm   | 0.8 |
|                       | lbin | 7   |

|                   |           |     |    |
|-------------------|-----------|-----|----|
| Conductor section | AWG/Kcmil | min | 16 |
|                   |           | max | 14 |

|     |     |     |     |
|-----|-----|-----|-----|
| IEC | min | mm² | 1.5 |
|-----|-----|-----|-----|

|                           |                       |     |                 |                               |
|---------------------------|-----------------------|-----|-----------------|-------------------------------|
|                           |                       | max | mm <sup>2</sup> | 2.5                           |
| Cable connection          |                       |     |                 | Self-releasing screw terminal |
| Cable entry               |                       |     |                 | M20 on the bottom             |
| <b>Ambient conditions</b> |                       |     |                 |                               |
| Pollution degree          |                       |     |                 | 3                             |
| Temperature               |                       |     |                 |                               |
|                           | Operating temperature | min | °C              | -25                           |
|                           |                       | max | °C              | +70                           |
|                           | Storage temperature   | min | °C              | -40                           |
|                           |                       | max | °C              | +70                           |

**Dimensions**



**Wiring diagrams**

## Slow action



### Certifications and compliance

#### Compliance

CSA C22.2 n° 14  
EN 50047  
IEC/EN 60204-1  
IEC/EN 60947-1  
IEC/EN 60947-5-1  
UL508

#### Certificates

CCC  
cULus  
EAC

### ETIM classification

ETIM 8.0

EC000030 - End switch