



### General characteristics

#### Material

|         |                      |
|---------|----------------------|
| Housing | Aluminium-zinc alloy |
| Rod     | Flexible             |

### Contact characteristics

|  |         |                        |
|--|---------|------------------------|
| Type of contact  |         | 3NC Slow action        |
| Thermal current I <sub>th</sub>                                  | A       | 10                     |
| IEC/EN 60947-5-1 designation                                     |         | A300 Q300              |
| Rated insulation voltage U <sub>i</sub>                          | V       | 440                    |
| Rated impulse withstand voltage U <sub>imp</sub>                 | kV      | 4                      |
| Short-circuit protection with fuse                               | Class/A | 10 gG/SC<br>QUICK FUSE |
| Switching speed  | min     | m/s 0.5                |
|  | max     | m/s 1.5                |
| IEC Conventional free air thermal current I <sub>th</sub> ≤ 40°C | A       | 10                     |
| Resistance per pole (average value)                              | mΩ      | <10                    |

### Mechanical features

|                         |      |                        |
|-------------------------|------|------------------------|
| Operating head fixing   |      | Locking bayonet insert |
| Operating torque        | Ncm  | 1                      |
|                         | ozin | 1.42                   |
| Tightening torque (Max) |      |                        |
| Switch fixing           | Nm   | 2.5                    |
|                         | lbin | 22.1                   |
| Contact terminals       | Nm   | 0.8                    |
|                         | lbin | 7                      |
| Body lid screw fixing   | Nm   | 0.8                    |
|                         | lbin | 7                      |
| Conductor section       |      |                        |
| AWG/Kcmil               | min  | 16                     |
|                         | max  | 14                     |
| IEC                     | min  | mm <sup>2</sup> 1.5    |
|                         | max  | mm <sup>2</sup> 2.5    |

#### Cable connection

Self-releasing screw terminal

#### Cable entry

M20 on the bottom

### Operations

LIMIT SWITCH, K SERIES, WOBBLE STICK, OMNIDIRECTIONAL, 1 BOTTOM CABLE ENTRY.  
DIMENSIONS TO EN 50047, METAL BODY, CONTACTS 3NC SLOW ACTION. FLEXIBLE ROD

|                      |          |           |
|----------------------|----------|-----------|
| Mechanical life      | cycles   | <10000000 |
| Mechanical operation | cycles/h | 3600      |

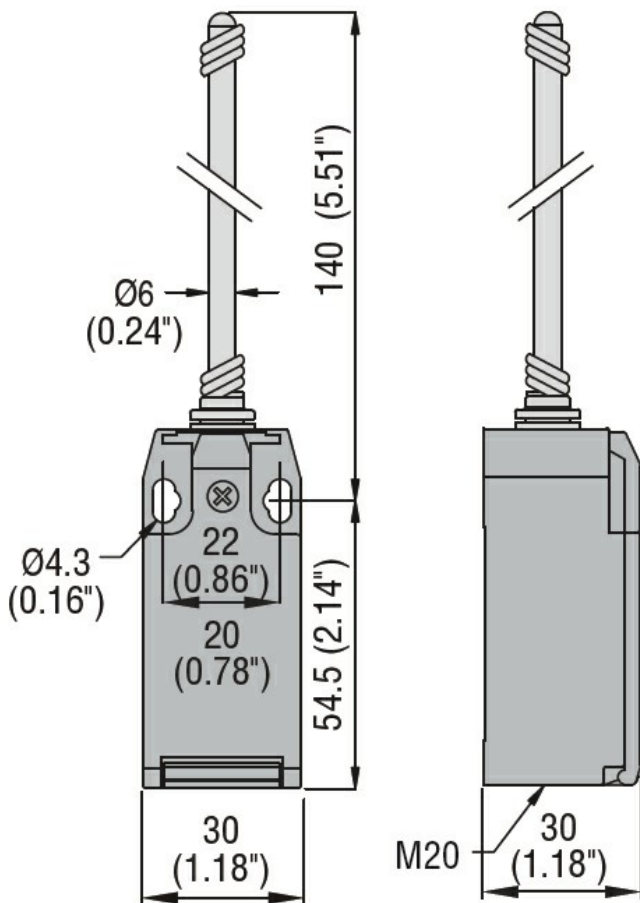
**Ambient conditions**

|                       |     |    |     |
|-----------------------|-----|----|-----|
| Temperature           |     |    |     |
| Operating temperature |     |    |     |
|                       | min | °C | -25 |
|                       | max | °C | +70 |
| Storage temperature   |     |    |     |
|                       | min | °C | -40 |
|                       | max | °C | +70 |

**Resistance & Protection**

|                  |              |      |
|------------------|--------------|------|
| IP degree        | Terminals    | IP20 |
|                  | Body housing | IP65 |
| Pollution degree |              | 3    |

**Dimensions**



**Wiring diagrams**

## Slow action



## 3NC

### Certifications and compliance

#### Compliance

CSA C22.2 n° 14

EN 50047

IEC/EN 60204-1

IEC/EN 60947-1

IEC/EN 60947-5-1

UL508

#### Certificates

CCC

cULus

EAC

### ETIM classification

ETIM 8.0

EC000030 - End  
switch