



### General characteristics

#### Material

Housing	Aluminium-zinc alloy
Roller	Metal

### Contact characteristics

#### Type of contact

1NO+1NC Slow action make before break

Thermal current I <sub>th</sub>	A	10
IEC/EN 60947-5-1 designation		A300 Q300
Rated insulation voltage U <sub>i</sub>	V	440
Rated impulse withstand voltage U <sub>imp</sub>	kV	4

#### Short-circuit protection with fuse

Class/A 10 gG/SC QUICK FUSE

#### Switching speed

min	m/s	0.5
max	m/s	1.5

#### IEC Conventional free air thermal current I<sub>th</sub> ≤ 40°C

A 10

#### Resistance per pole (average value)

mΩ <10

### Mechanical features

#### Operating head fixing

Locking bayonet insert

#### Operating torque

Ncm	3
ozin	4.25

#### Tightening torque (Max)

##### Switch fixing

Nm	2.5
lbin	22.1

##### Contact terminals

Nm	0.8
lbin	7

##### Body lid screw fixing

Nm	0.8
lbin	7

#### Conductor section

##### AWG/Kcmil

min	16
max	14

##### IEC

min	mm <sup>2</sup>	1.5
max	mm <sup>2</sup>	2.5

#### Cable connection

Self-releasing screw terminal

Cable entry	M20 on the bottom
-------------	-------------------

**Operations**

Mechanical life	cycles	<10000000
Mechanical operation	cycles/h	3600

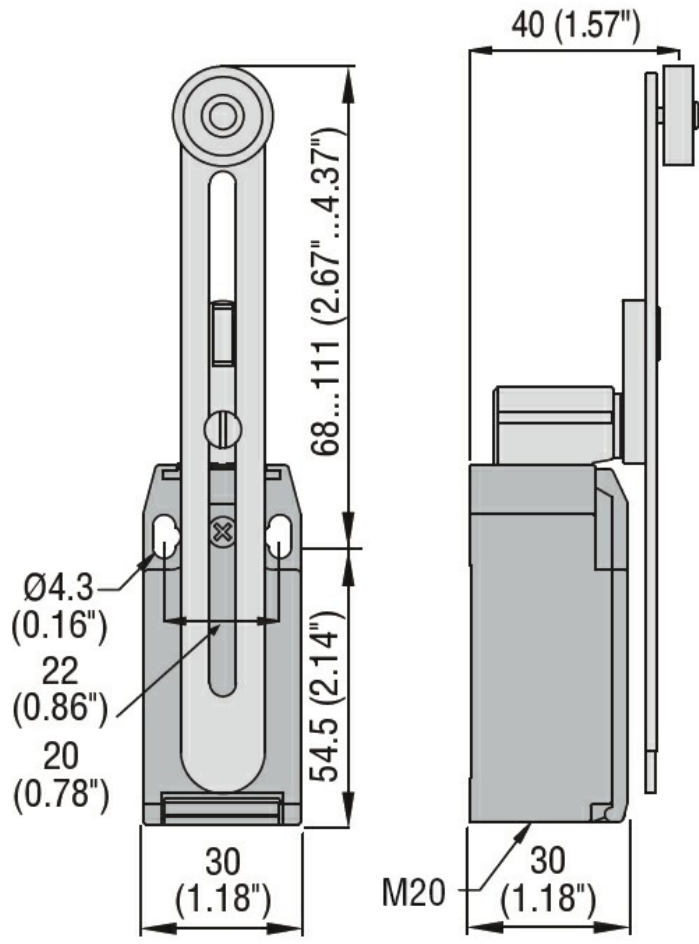
**Ambient conditions**

Temperature	Operating temperature	min	°C	-25
		max	°C	+70
	Storage temperature	min	°C	-40
		max	°C	+70

**Resistance & Protection**

IP degree	Terminals	IP20
	Body housing	IP65
Pollution degree		3

**Dimensions**



**Wiring diagrams**

## Slow action



**1NO + 1NC**  
**make before break**

### Certifications and compliance

#### Compliance

CSA C22.2 n° 14

EN 50047

IEC/EN 60204-1

IEC/EN 60947-1

IEC/EN 60947-5-1

UL508

#### Certificates

CCC

cULus

EAC

### ETIM classification

ETIM 8.0

EC000030 - End  
switch