



**General characteristics**

Material	Housing	Aluminium-zinc alloy	
	Roller	Metal	

**Contact characteristics**

Type of contact		2NC Snap action	
Thermal current I <sub>th</sub>	A	10	
IEC/EN 60947-5-1 designation		A300 Q300	
Rated insulation voltage U <sub>i</sub>	V	440	
Rated impulse withstand voltage U <sub>imp</sub>	kV	4	
Short-circuit protection with fuse	Class/A	10 gG/SC QUICK FUSE	
Switching speed	min	m/s	0.5
	max	m/s	1.5
IEC Conventional free air thermal current I <sub>th</sub> ≤ 40°C	A	10	
Resistance per pole (average value)	mΩ	<10	

**Mechanical features**

Operating head fixing		Locking bayonet insert		
Operating torque	Ncm	3		
	ozin	4.25		
Tightening torque (Max)	Switch fixing	Nm	2.5	
		lbin	22.1	
Contact terminals		Nm	0.8	
		lbin	7	
Body lid screw fixing		Nm	0.8	
		lbin	7	
Conductor section	AWG/Kcmil	min	16	
		max	14	
	IEC	min	mm <sup>2</sup>	1.5
		max	mm <sup>2</sup>	2.5

Cable connection		Self-releasing screw terminal	
Cable entry		M20 on the bottom	

**Operations**

Mechanical life	cycles	<10000000
Mechanical operation	cycles/h	3600

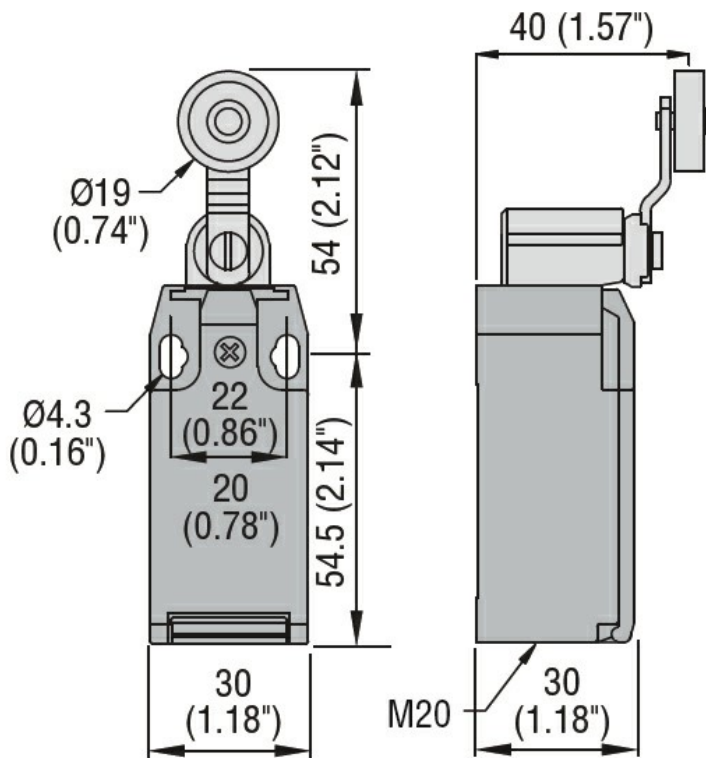
**Ambient conditions**

Temperature		
Operating temperature		
min	°C	-25
max	°C	+70
Storage temperature		
min	°C	-40
max	°C	+70

**Resistance & Protection**

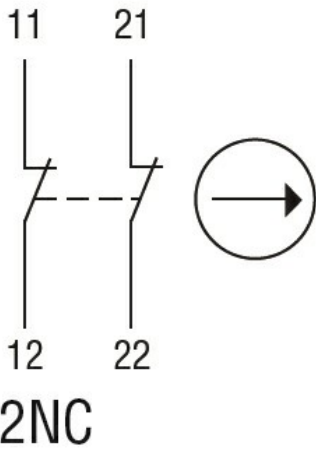
IP degree	Terminals	IP20
	Body housing	IP65
Pollution degree		3

**Dimensions**



**Wiring diagrams**

## Snap action



### Certifications and compliance

#### Compliance

CSA C22.2 n° 14  
EN 50047  
IEC/EN 60204-1  
IEC/EN 60947-1  
IEC/EN 60947-5-1  
UL508

#### Certificates

CCC  
cULus  
EAC

### ETIM classification

ETIM 8.0

EC000030 - End  
switch