



General characteristics

Material

| | |
|---------|----------------------|
| Housing | Aluminium-zinc alloy |
| Roller | Plastic |

Contact characteristics

Type of contact

1NO+1NC Slow action make before break

| | | |
|--|----|-----------|
| Thermal current I _{th} | A | 10 |
| IEC/EN 60947-5-1 designation | | A300 Q300 |
| Rated insulation voltage U _i | V | 440 |
| Rated impulse withstand voltage U _{imp} | kV | 4 |

| | | |
|------------------------------------|---------|---------------------|
| Short-circuit protection with fuse | Class/A | 10 gG/SC QUICK FUSE |
|------------------------------------|---------|---------------------|

Switching speed

| | | |
|-----|-----|-----|
| min | m/s | 0.5 |
| max | m/s | 1.5 |

| | | |
|--|---|----|
| IEC Conventional free air thermal current I _{th} ≤ 40°C | A | 10 |
|--|---|----|

| | | |
|-------------------------------------|----|-----|
| Resistance per pole (average value) | mΩ | <10 |
|-------------------------------------|----|-----|

Mechanical features

| | | |
|-----------------------|--|------------------------|
| Operating head fixing | | Locking bayonet insert |
|-----------------------|--|------------------------|

Operating torque

| | |
|----|------|
| N | 6 |
| lb | 1.34 |

Tightening torque (Max)

Switch fixing

| | |
|------|------|
| Nm | 2.5 |
| lbin | 22.1 |

Contact terminals

| | |
|------|-----|
| Nm | 0.8 |
| lbin | 7 |

Body lid screw fixing

| | |
|------|-----|
| Nm | 0.8 |
| lbin | 7 |

Conductor section

AWG/Kcmil

| | |
|-----|----|
| min | 16 |
| max | 14 |

IEC

| | | |
|-----|-----------------|-----|
| min | mm ² | 1.5 |
| max | mm ² | 2.5 |

Cable connection

Self-releasing screw terminal

| | |
|-------------|-------------------|
| Cable entry | M20 on the bottom |
|-------------|-------------------|

Operations

| | | |
|----------------------|----------|-----------|
| Mechanical life | cycles | <10000000 |
| Mechanical operation | cycles/h | 3600 |

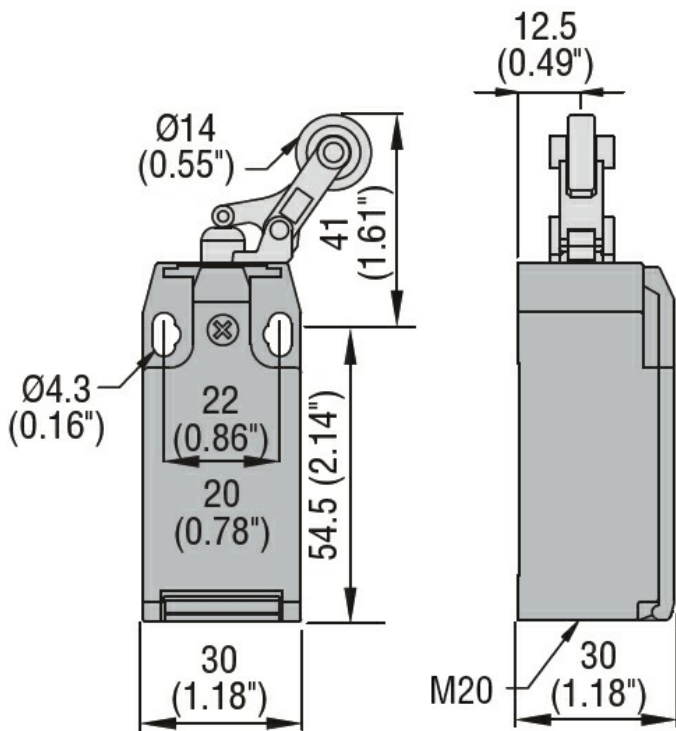
Ambient conditions

| | | | | |
|-------------|-----------------------|-----|----|-----|
| Temperature | Operating temperature | min | °C | -25 |
| | | max | °C | +70 |
| | Storage temperature | min | °C | -40 |
| | | max | °C | +70 |

Resistance & Protection

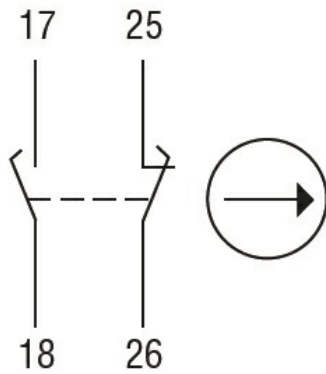
| | | |
|------------------|--------------|------|
| IP degree | Terminals | IP20 |
| | Body housing | IP65 |
| Pollution degree | | 3 |

Dimensions



Wiring diagrams

Slow action



1NO + 1NC
make before break

Certifications and compliance

Compliance

CSA C22.2 n° 14

EN 50047

IEC/EN 60204-1

IEC/EN 60947-1

IEC/EN 60947-5-1

UL508

Certificates

CCC

cULus

EAC

ETIM classification

ETIM 8.0

EC000030 - End
switch