



### General characteristics

#### Material

|         |                          |
|---------|--------------------------|
| Housing | Polymer<br>thermoplastic |
| Rod     | Steel                    |

### Contact characteristics

|  |            |                          |
|--|------------|--------------------------|
| Type of contact  |            | 1NO+1NC Slow<br>action   |
| Thermal current I <sub>th</sub>                                  | A          | 10                       |
| IEC/EN 60947-5-1 designation                                     |            | A600 Q600                |
| Rated insulation voltage U <sub>i</sub>                          | V          | 690                      |
| Rated impulse withstand voltage U <sub>imp</sub>                 | kV         | 6                        |
| Insulation class   |            | II                       |
| Short-circuit protection with fuse                               | Class/A    | 10 gG/SC<br>QUICK FUSE   |
| Switching speed  | min<br>max | m/s<br>m/s<br>0.5<br>1.5 |
| IEC Conventional free air thermal current I <sub>th</sub> ≤ 40°C | A          | 10                       |
| Resistance per pole (average value)                              | mΩ         | <10                      |

### Mechanical features

|                         |             |  |
|-------------------------|-------------|--|
| Operating head fixing   |             | Locking bayonet<br>insert                        |
| Operating torque        | Ncm<br>ozin | 3<br>4.25  |
| Tightening torque (Max) |             |  |
| Switch fixing           | Nm<br>lbin  | 2.5<br>22.1                                      |
| Contact terminals       | Nm<br>lbin  | 0.8<br>7   |
| Body lid screw fixing   | Nm<br>lbin  | 0.8<br>7   |
| Conductor section       |             |  |
| AWG/Kcmil               | min<br>max  | 16<br>14   |
| IEC                     | min<br>max  | mm <sup>2</sup><br>mm <sup>2</sup><br>1.5<br>2.5 |
| Cable connection        |             | Self-releasing<br>screw terminal                 |
| Cable entry             |             | M20 on the sides                                 |

**Operations**

|                      |          |           |
|----------------------|----------|-----------|
| Mechanical life      | cycles   | <10000000 |
| Mechanical operation | cycles/h | 3600      |

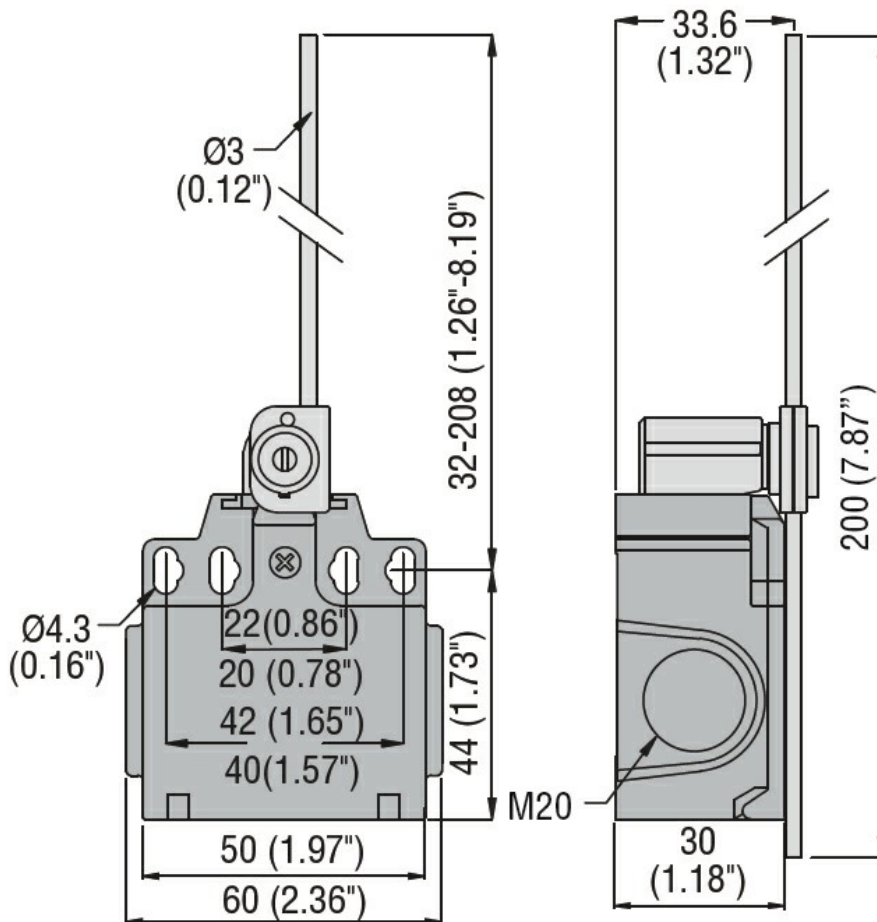
**Ambient conditions**

|             |                       |     |    |     |
|-------------|-----------------------|-----|----|-----|
| Temperature | Operating temperature | min | °C | -25 |
|             |                       | max | °C | +70 |
|             | Storage temperature   | min | °C | -40 |
|             |                       | max | °C | +70 |

**Resistance & Protection**

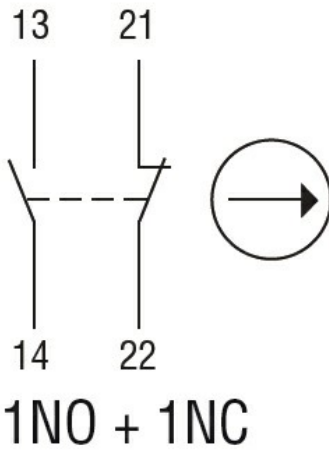
|                  |              |      |
|------------------|--------------|------|
| IP degree        | Terminals    | IP20 |
|                  | Body housing | IP65 |
| Pollution degree |              | 3    |

**Dimensions**



**Wiring diagrams**

## Slow action



### Certifications and compliance

#### Compliance

CSA C22.2 n° 14

EN 50047

IEC/EN 60204-1

IEC/EN 60947-1

IEC/EN 60947-5-1

UL508

#### Certificates

CCC

cULus

EAC

### ETIM classification

ETIM 8.0

EC000030 - End  
switch