



General characteristics

Material

Housing	Polymer thermoplastic
Roller	Metal

Contact characteristics

Type of contact

1NO+1NC Slow action make before break

Thermal current I _{th}	A	10
IEC/EN 60947-5-1 designation		A600 Q600
Rated insulation voltage U _i	V	690
Rated impulse withstand voltage U _{imp}	kV	6
Insulation class		II
Short-circuit protection with fuse	Class/A	10 gG/SC QUICK FUSE
Switching speed	min	m/s 0.5
	max	m/s 1.5
IEC Conventional free air thermal current I _{th} ≤ 40°C	A	10
Resistance per pole (average value)	mΩ	<10

Mechanical features

Operating head fixing

Locking bayonet insert

Operating torque

N	6
l _b	1.34

Tightening torque (Max)

Switch fixing

Nm	2.5
l _{bin}	22.1

Contact terminals

Nm	0.8
l _{bin}	7

Body lid screw fixing

Nm	0.8
l _{bin}	7

Conductor section

AWG/Kcmil

min	16
max	14

IEC

min	mm ² 1.5
max	mm ² 2.5

Cable connection

Self-releasing screw terminal

Cable entry M20 on the sides

Operations

Mechanical life cycles <10000000
Mechanical operation cycles/h 3600

Ambient conditions

Temperature

Operating temperature

min °C -25
max °C +70

Storage temperature

min °C -40
max °C +70

Resistance & Protection

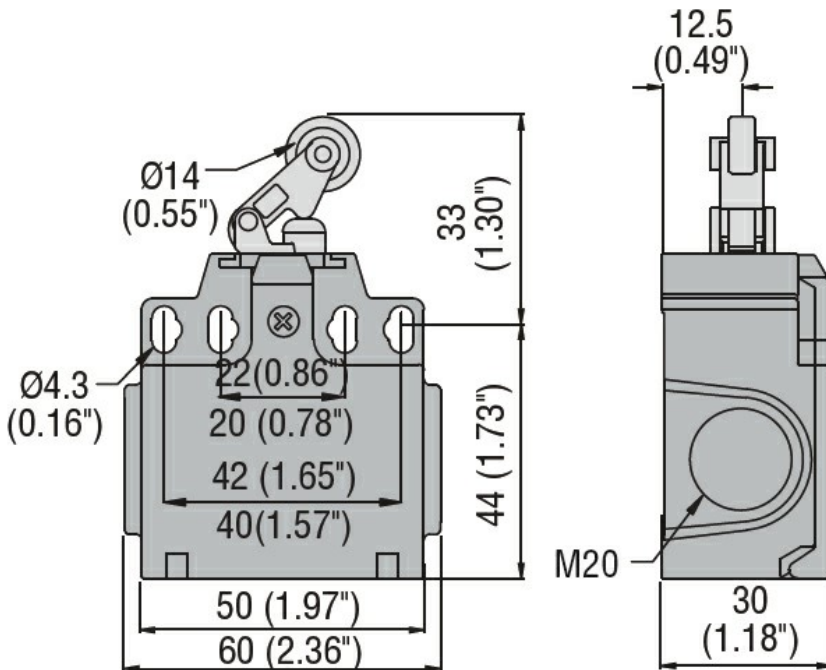
IP degree

Terminals IP20
Body housing IP65

Pollution degree

3

Dimensions



Wiring diagrams

Slow action



1NO + 1NC
make before break

Certifications and compliance

Compliance

CSA C22.2 n° 14

EN 50047

IEC/EN 60204-1

IEC/EN 60947-1

IEC/EN 60947-5-1

UL508

Certificates

CCC

cULus

EAC

ETIM classification

ETIM 8.0

EC000030 - End
switch