



**General characteristics**

Material

|         |                       |
|---------|-----------------------|
| Housing | Polymer thermoplastic |
| Rod     | Ceramic               |

**Contact characteristics**

|  |         |                     |
|--|---------|---------------------|
| Type of contact  |         | 1NO+2NC Slow action |
| Thermal current I <sub>th</sub>                                  | A       | 10                  |
| IEC/EN 60947-5-1 designation                                     |         | A600 Q600           |
| Rated insulation voltage U <sub>i</sub>                          | V       | 690                 |
| Rated impulse withstand voltage U <sub>imp</sub>                 | kV      | 6                   |
| Insulation class   |         | II                  |
| Short-circuit protection with fuse                               | Class/A | 10 gG/SC QUICK FUSE |
| Switching speed  | min     | m/s 0.5             |
|  | max     | m/s 1.5             |
| IEC Conventional free air thermal current I <sub>th</sub> ≤ 40°C | A       | 10                  |
| Resistance per pole (average value)                              | mΩ      | <10                 |

**Mechanical features**

|                         |      |                               |
|-------------------------|------|-------------------------------|
| Operating head fixing   |      | Locking bayonet insert        |
| Operating torque        | Ncm  | 3                             |
|                         | ozin | 4.25                          |
| Tightening torque (Max) |      |                               |
| Switch fixing           | Nm   | 2.5                           |
|                         | lbin | 22.1                          |
| Contact terminals       | Nm   | 0.8                           |
|                         | lbin | 7                             |
| Body lid screw fixing   | Nm   | 0.8                           |
|                         | lbin | 7                             |
| Conductor section       |      |                               |
| AWG/Kcmil               | min  | 16                            |
|                         | max  | 14                            |
| IEC                     | min  | mm <sup>2</sup> 1.5           |
|                         | max  | mm <sup>2</sup> 2.5           |
| Cable connection        |      | Self-releasing screw terminal |

|             |                   |
|-------------|-------------------|
| Cable entry | M20 on the bottom |
|-------------|-------------------|

**Operations**

|                      |          |           |
|----------------------|----------|-----------|
| Mechanical life      | cycles   | <10000000 |
| Mechanical operation | cycles/h | 3600      |

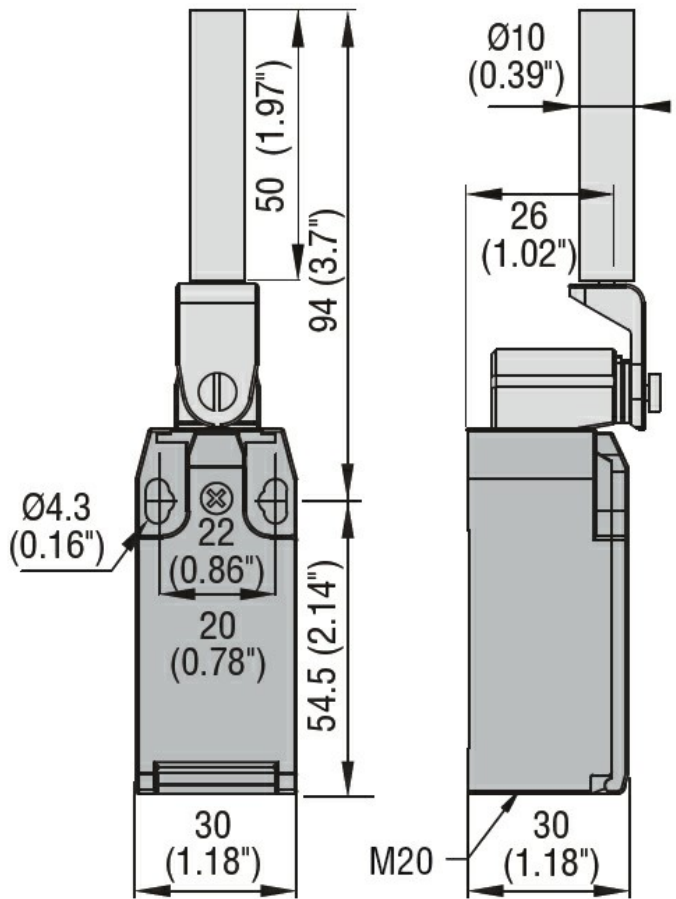
**Ambient conditions**

|             |                       |     |    |     |
|-------------|-----------------------|-----|----|-----|
| Temperature | Operating temperature | min | °C | -25 |
|             |                       | max | °C | +70 |
|             | Storage temperature   | min | °C | -40 |
|             |                       | max | °C | +70 |

**Resistance & Protection**

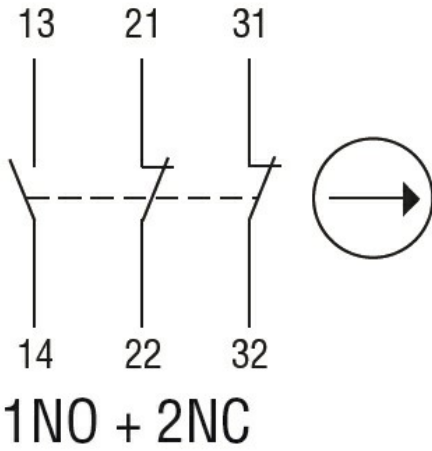
|                  |              |      |
|------------------|--------------|------|
| IP degree        | Terminals    | IP20 |
|                  | Body housing | IP65 |
| Pollution degree |              | 3    |

**Dimensions**



**Wiring diagrams**

## Slow action



### Certifications and compliance

#### Compliance

CSA C22.2 n° 14

EN 50047

IEC/EN 60204-1

IEC/EN 60947-1

IEC/EN 60947-5-1

UL508

#### Certificates

CCC

cULus

EAC

### ETIM classification

ETIM 8.0

EC000030 - End switch