



General characteristics

Material

Housing	Polymer thermoplastic
Roller	Rubber

Contact characteristics

Type of contact	2NC Snap action		
Thermal current Ith	A	10	
IEC/EN 60947-5-1 designation	A600 Q600		
Rated insulation voltage Ui	V	690	
Rated impulse withstand voltage Uimp	kV	6	
Insulation class	II		
Short-circuit protection with fuse	Class/A	10 gG/SC QUICK FUSE	
Switching speed	min	m/s	0.5
	max	m/s	1.5
IEC Conventional free air thermal current Ith ≤ 40°C	A	10	
Resistance per pole (average value)	mΩ	<10	

Mechanical features

Operating head fixing	Locking bayonet insert			
Operating torque	Ncm	3		
	ozin	4.25		
Tightening torque (Max)	Switch fixing	Nm	2.5	
		lbin	22.1	
	Contact terminals	Nm	0.8	
		lbin	7	
Body lid screw fixing	Nm	0.8		
	lbin	7		
Conductor section	AWG/Kcmil	min	16	
		max	14	
	IEC	min	mm ²	1.5
		max	mm ²	2.5
Cable connection	Self-releasing screw terminal			
Cable entry	M20 on the bottom			

Operations

Mechanical life	cycles	<10000000
Mechanical operation	cycles/h	3600

Ambient conditions

Temperature

Operating temperature

min	°C	-25
max	°C	+70

Storage temperature

min	°C	-40
max	°C	+70

Resistance & Protection

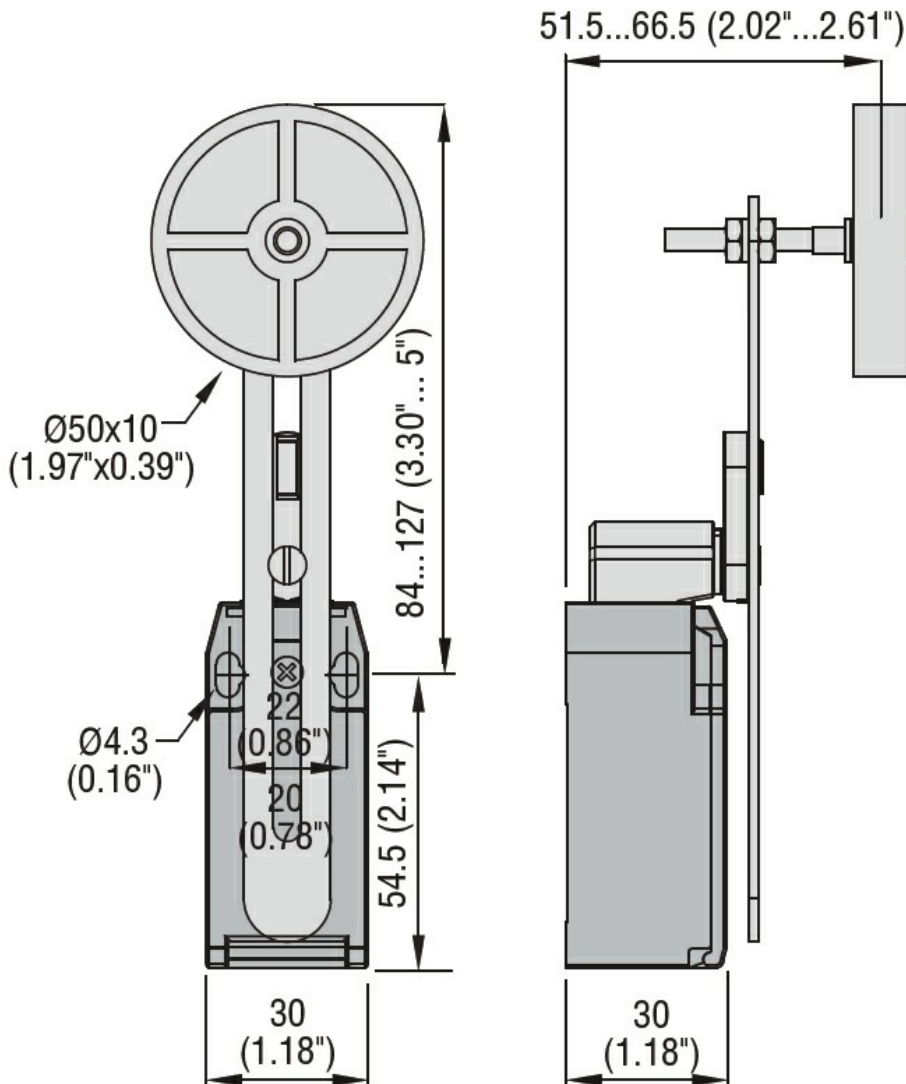
IP degree

Terminals	IP20
Body housing	IP65

Pollution degree

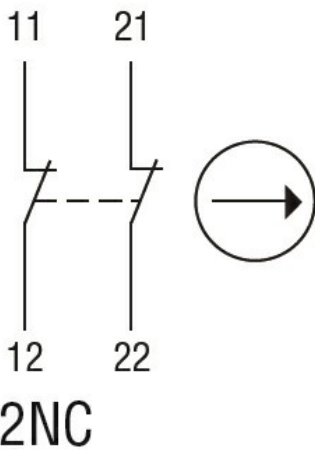
3

Dimensions



Wiring diagrams

Snap action



Certifications and compliance

Compliance

CSA C22.2 n° 14
EN 50047
IEC/EN 60204-1
IEC/EN 60947-1
IEC/EN 60947-5-1
UL508

Certificates

CCC
cULus
EAC

ETIM classification

ETIM 8.0

EC000030 - End
switch